

---

# Uncompromising Freshness, Unrivalled Luxury

---

Discover our freestanding and  
fully-integrated appliances.

**LIEBHERR**

Refrigeration and freezing





-18°C

VEGETABLES

FRUITS

MEATS

DAIRY

ICE

5°C

VEGETABLES

FRUITS

MEATS

DAIRY

ICE

# Contents

Liebherr Group	4
Quality	6
Freshness technology	8
BioFresh Professional with HydroBreeze	10
BioFresh Professional with Fish & Seafood safe	12
Convenience and flexibility	14
Product responsibility	16
Freestanding appliances	18
Series	20
Unique features	22
Fully integrated appliances	36
Series	38
Unique features	40
Wine cabinets	56
Unique features	58
Liebherr Barrique	71
Unique features	72
Design and Lifestyle	81
Unique features	82

Liebherr Group

## Global success: The Liebherr Group

Liebherr is a third-generation, family-owned company founded in 1949 by Hans Liebherr with his ground-breaking invention of the world's first mobile tower crane.

With over 70 years of success, Liebherr is known as a pioneer in high-quality, breakthrough innovations and countless cutting-edge technologies in numerous industries. One of the world's largest manufacturers of construction machinery, Liebherr has expanded its broadly diversified portfolio to 13 product segments including earthmoving, deep foundation machines, mobile and crawler cranes, tower cranes, concrete technology, material handling technology, mining, maritime cranes, aerospace and transportation systems, gear technology and automation systems, components, hotel, and refrigeration and freezing. The company currently employs about 48,000 people in more than 140 companies in over 50 countries worldwide.



Mobile cranes



Aerospace



Earthmoving



Crawler cranes



Refrigeration and freezing



Liebherr-Hausgeräte GmbH, Germany

**Liebherr-Hausgeräte –  
specialists in refrigeration and freezing**

Liebherr-Hausgeräte covers the full range of refrigeration and freezing for domestic and commercial use. Headquartered in Germany, Liebherr-Hausgeräte has an impressive range of more than 3,000 products in its portfolio.

Quality

## Even the smallest detail deserves the utmost attention.

We prioritise uncompromising quality – down to the tiniest screw. And we have done so from the very start. We have been manufacturing high-quality refrigerators and freezers and selling them worldwide since 1954. However, at heart we are still a family business with deep roots in Germany. It is here that we continue to develop all our products just as before. German engineering – out of loyalty to our founder and with the knowledge built up by generations of engineers.

### Built to last

You can experience our quality standards in the smallest of details. For example, before a door hinge is approved by us, it must pass through at least 100,000 opening cycles. This corresponds to a usage period of more than 15 years. We also test all other functional parts to ensure that they can last just as long.

And if, contrary to expectations, a small detail no longer meets your requirements, you or our premium service partners can usually correct it quickly. Because all our appliances are extremely repair-friendly. We keep all essential spare parts in stock for well over 10 years. This practice is not just sustainable, it also saves you money on minor repairs or the purchase of a new appliance.

**G** German  
Engineering



EasyFresh for fruit and vegetables from the Pure series upwards.





534.76.731 (XRFbsh 5265) ◊ Prime series



Magnetic door gasket ensures safe closing.

### **We don't just say it. We also guarantee it.**

During manufacturing we inspect all components of our refrigerators with great care and test them far more rigorously than required by law – and we do this for the last time just before they are packaged. It is only then that our appliances can relax a little. All of our manufacturing sites are certified in accordance with the international standards for quality ISO 9001, energy management ISO 50001 and environmental management ISO 14001. Therefore, nothing could be easier for us than to guarantee for at least two years that our products are free of material and manufacturing faults and are particularly easy to install.

In short: one thing is certain – you will be able to enjoy your Liebherr for a long time.

Freshness technologies

## Uncompromising freshness

---

You don't compromise when you're shopping. You look for natural ingredients, the best quality and maximum freshness. Of course, anyone who values good food wants to keep it fresh for as long as possible. That is precisely why we have developed innovative freshness technologies and improve them year after year, so your food still tastes fresh after some time in the refrigerator.



## Freshness technologies



### EasyFresh – ideal for fruit and vegetables

Unpackaged fruit and vegetables feel right at home here. Stored at the same temperature as the fridge compartment and sealed airtight in the safe, lettuce, for example, is still crisp and fresh after 7 days.



### BioFresh – our all-rounder

The reliable BioFresh technology stores groceries at a temperature just above 0 °C, much cooler than in the rest of the appliance. With the perfect humidity, fruit and vegetables stay fresh even longer in the airtight Fruit & Vegetable safe. Meat, fish and dairy products can enjoy ideal conditions in the Meat & Dairy safe.



### BioFresh Professional with HydroBreeze

A cold mist that covers fruit and vegetables like a protective balm. It ensures crisp freshness and improves structure – the special wow effect for fruit and vegetables in the BioFresh Professional safe.



### BioFresh Professional with Fish & Seafood safe.

Particularly delicate foods like fish and seafood are best stored in icy temperatures and at low humidity. The constant temperature of -2 °C in the Fish & Seafood safe is therefore ideal to keep these items tasting fresh for longer.



### DuoCooling – no drying out

The two completely separate refrigeration circuits ensure that there is no air exchange between the fridge and freezer compartments. Groceries do not dry out nor spread odour.



### NoFrost – no more defrosting

The automatic defrosting function guarantees that frozen foods remain fresh. There is no longer a need to store frozen food temporarily during manual defrosting. The constant optimal freezing remains the same without interruptions.

BioFresh Professional with HydroBreeze

## Cool and misty. Perfect weather for your vegetables.

Our HydroBreeze feature exemplifies our highest standard of freshness. A cold mist covers fruit and vegetables like a protective balm in the BioFresh Professional safe. The mist ensures crisp freshness, improves structure and keeps produce with fine leaves fresh for longer. It also creates an optical wow effect in the BioFresh Professional safe.



### Nature's freshness secret

The Salinas valley in California is known as the salad bowl of the USA. And that is because of the particularly favourable climatic conditions. Its proximity to the cool waters of the Pacific means a fine, moist mist covers the valley and its fields in summer. This prevents the crops growing here from drying out. It is precisely this idea which inspired our BioFresh Professional with HydroBreeze.



Every time the door is opened, a fresh, cold mist is generated.

Hydro  
Breeze

+8 days

+11 days

+10 days

+12 days

+12 days

+8 days

+40 days

Specifications made in days are comparisons  
to the normal fridge compartment.

BioFresh Professional with Fish & Seafood safe

# Relish the freshness of the sea.

To keep fish and seafood tasting as fresh as at the market stall, even after a few days, you need a fridge compartment which maintains their freshness; such as our Fish & Seafood safe. Fish and seafood can be stored here at  $-2\text{ }^{\circ}\text{C}$  and low humidity. Perfect conditions to enjoy that freshly caught flavour for much longer.



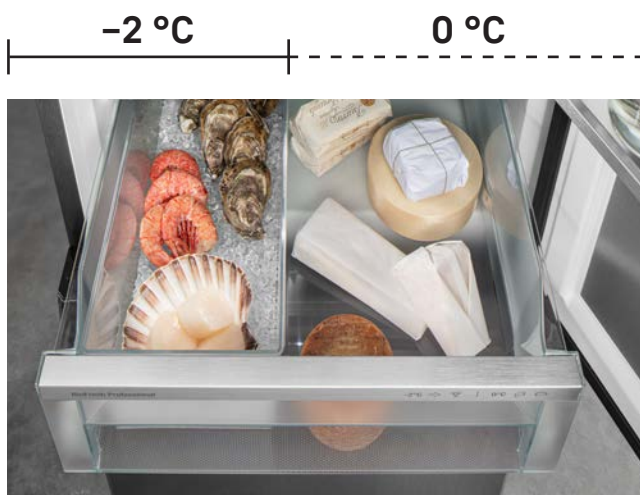
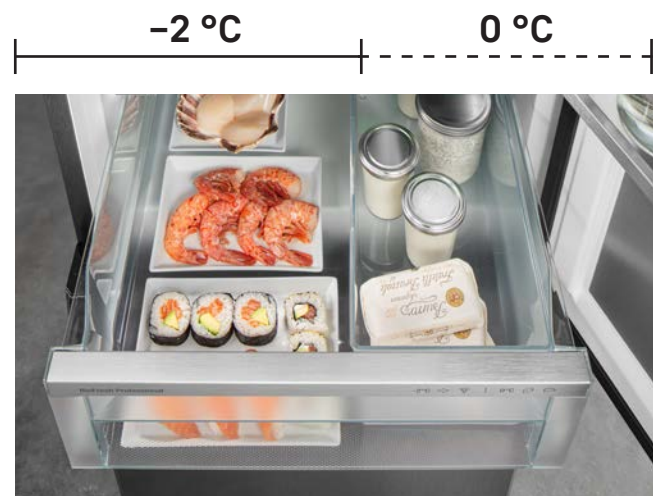
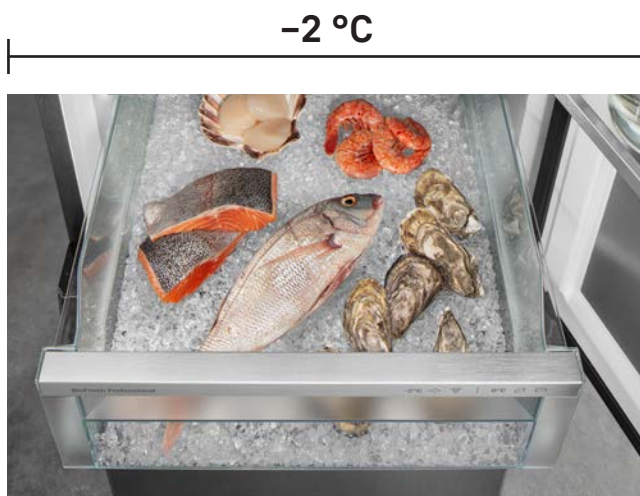
Specifications made in days are comparisons to the normal fridge compartment.

## BioFresh Professional with Fish & Seafood safe



### Flexible use

The surface of the BioFresh Professional safe can be adjusted to individual requirements. The  $-2^{\circ}\text{C}$  can be partially or even completely adjusted to a temperature zone at just above  $0^{\circ}\text{C}$ . This is the optimal storage environment for meat and dairy products. We have illustrated these four options below:



## Convenience and flexibility



### Drawers on telescopic rails

Pleasantly easy opening and closing – even when fully loaded – ensures that all of the groceries are perfectly accessible.



### FlexSystem

Ensures clear order in the BioFresh safe. It is perfect for storing smaller portions of fruit and vegetables or sensitive groceries.



### VarioSafe

Allows you to arrange smaller items clearly in the interior – at whatever height you prefer.

## Variable temperature space as required

With VarioTemp, there is flexibility for every situation. The freezer compartment can be adjusted to a variable temperature between  $-2\text{ }^{\circ}\text{C}$  and  $14\text{ }^{\circ}\text{C}$ .

As a result, you are always perfectly prepared, even for big parties. If necessary, the freezer compartment can be used as an additional cooling zone for appetisers or drinks. Or as a cellar compartment for groceries that are sensitive to cold, such as potatoes, onions and other similar items.

Your family has grown and you are running out of space in your fridge-freezer? Not a problem. VarioTemp allows you to use the freezer compartments as a fridge in your kitchen. If combined with a separate freezer, this means you have enough space to supply even a large family with fresh groceries.



Use as freezer compartment ( $-18\text{ }^{\circ}\text{C}$ )



Use as fridge compartment  
(between  $-2\text{ }^{\circ}\text{C}$  and  $+9\text{ }^{\circ}\text{C}$ )



Use as cellar compartment ( $+14\text{ }^{\circ}\text{C}$ )

## Thinking beyond just today

We are fastidious in adopting a holistic approach to sustainability when designing our appliances. The key elements of this are the durability of our appliances, maximum energy efficiency and reducing food waste. Why do we do all this? Because a holistic approach is needed to protect both people and the environment in equal measure.

### Reducing food waste

Everyone who stores food in the optimum climate plays a big part in reducing unnecessary food waste. Our appliances make this possible – with a combination of innovative features:

First: Our freshness technologies. DuoCooling in our fridge-freezers, for example, prevents your groceries from drying out faster than need be. Innovative freshness technologies such as BioFresh ensure perfect storage conditions that significantly extend product life and freshness. So there's no need to throw food away before its time, and you don't need to go shopping so often. And the largest zero-degree compartments on the market provide enough space for extra-large amounts of groceries.

Second: Our SmartDevice app also helps you to store your food properly, giving your food a longer shelf life so you can enjoy it for even longer.

Third: Our appliances are intelligent and let you know if perfect storage for your groceries is at risk. For example, by using a door alarm to tell you if the appliance door is still open.





# Perfectly thought out: a powerful, complete package

Our fridges are real all-rounders. Along with their low power consumption, they also have impressively low noise levels, plenty of space for groceries, a long service life and reliable power reserves for when it really matters. We take account of a great many factors during the development stage and can offer a perfectly balanced appliance. Or to put it another way: all good things come in fours.



## Energy consumption

Our refrigerators and freezers occupy top positions in the efficiency rankings. In this way, they protect the precious resources of our environment and – thanks to low electricity costs – your wallet too.



## Cooling volume

We have the perfect appliance for all family sizes, lifestyles and niche heights. We make sure that we do not waste a single litre of capacity in the extra-large drawers – right down to the smallest detail, for example with the lighting solutions that have been integrated in the housing to save space.



## Noise level

The boundaries between the kitchen and living areas are becoming ever more blurred in modern households. This underlines the importance of particularly quiet appliances. Our range of refrigerators and freezers therefore offers a wide selection of extremely quiet appliances. In some cases, it even reaches the ultra-quiet noise level of 32 db.



## Cooling performance

Intelligent sensor technology constantly adapts the cooling performance to current use, making our refrigerators and freezers very energy-efficient and economical in everyday use. At the same time they also have plenty of power in reserve, for example to cool down a large quantity of groceries after the weekly shop.



# Freestanding appliances





For a clear overview.  
Even before you  
open the fridge.

---

◇ Plus    ◻ Prime



StainlessSteel dry rear wall



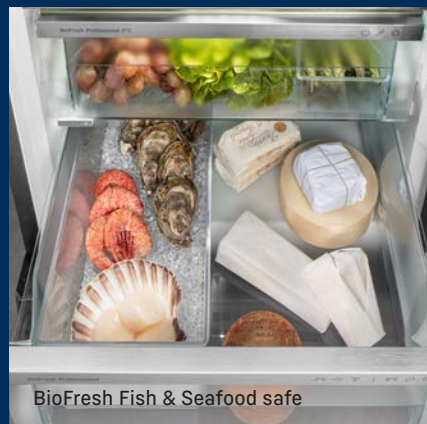
EasyTwist Ice

## ◇ Plus series

The Plus series builds on our Pure series and has many impressive additional details. Above all, Plus means a plus in comfort. The appliances not only provide first-class refrigeration and freezing, they are also just that little bit smarter. They help make operation a little easier.

## ⬠ Prime series

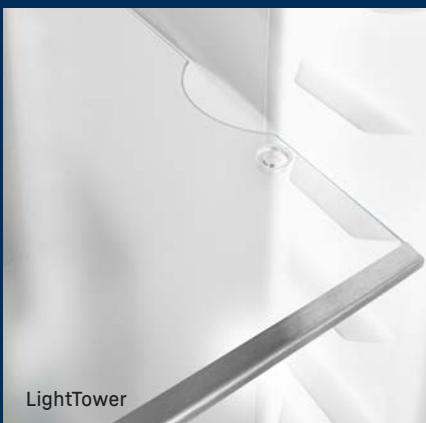
With the Prime series things get much more classy. It makes an unmistakable mark in terms of design and material. Above all, genuine quality materials are used inside the appliances, such as stainless steel. But special lighting solutions also make the appliances in this series particularly appealing.



BioFresh Fish & Seafood safe



Touch & Swipe



LightTower



SoftSystem



VarioTemp

BioFresh Professional 0°C



-2°C

**Fish &  
Seafood**



## Unique features



### Fish & Seafood safe

Love fish? Your Liebherr keeps fish fresh! The Fish & Seafood safe stores fish and seafood at the optimum temperature of  $-2^{\circ}\text{C}$ ; as professionally as your fishmonger. Adjust the size of the  $-2^{\circ}\text{C}$  zone as much as you want – and store the remaining meat and dairy products at the optimum  $0^{\circ}\text{C}$ . An LED display indicates that the  $-2^{\circ}\text{C}$  zone is currently active.



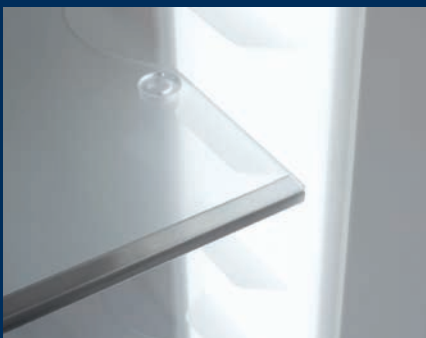
### PowerCooling

Do you want to be sure that the cold is distributed as evenly as possible in your refrigerator? If so, the PowerCooling system is what you need. The fan – as powerful as it is quiet – distributes the cold air efficiently throughout the entire refrigeration compartment.



### Touch & Swipe display

Control of your Liebherr at your fingertips: thanks to the Touch & Swipe display, you can operate your refrigerator intuitively and with ease. Simply select functions such as SuperCool on the colour display by tapping and swiping. The temperature is controlled just as easily. And, what if you are not actively using the display? Well, it then shows you the actual temperature.



### LightTower

Enjoy an optimally illuminated interior: the LightTower shows off the food in its best light and is positioned so that all of your filled fridge is illuminated at all times. The flush mounting of the LightTower in the side walls means there is also more space for your food.



### IceTower

You will never run out of cold drinks at your party. The IceTower, which holds 8 kg of ice cubes, makes sure of that. The ice cube scoop and the pull-out tray on telescopic rails allow easy access to the ice cubes. An extra insert tray means you can also store less ice and make room for frozen food underneath. The adjacent drawer provides storage space for frozen goods.



### VarioTemp

VarioTemp means you have plenty of scope when storing food in your fridge freezer. This is because you can also set the accurate temperature in the freezer compartment in a range between  $-2^{\circ}\text{C}$  and  $+14^{\circ}\text{C}$  – and therefore also use this compartment as a further cooling zone. For example, it can be used over the short term for drinks and snacks at parties – or over the long term as a cellar compartment for storing potatoes.





## For the cool gastronomist

The BluPerformance 534.76.731 (XRFbsh 5265) doesn't just unite a fridge and a freezer into a unique side-by-side solution, but also combines modern aesthetics with pioneering functionality.

For example, the spacious refrigerator has variable BioFresh safes that ensure your food stays fresh for a very long time at temperatures just above 0 °C. NoFrost saves you costly and time-consuming freezer defrosting.

Also available in SmartSteel as 534.76.730 (XRFsdh 5265.)

Technical data see page 86/87.

Bio  
Fresh  
Professional

Fish &  
Seafood

No  
Frost

Super  
Frost

Super  
Cool

Soft  
System

Soft-  
Telescopic  
Rails

Touch &  
Swipe-  
Display

Glass &  
Steel  
Interior

Space  
Box

Vario  
Space

Easy  
Open

LED

Light  
Tower

Ice  
Tower

Ice  
Maker



## The epicurean's dream kitchen

The 534.76.710 (XCCsdh 5250) side-by-side combination has everything that distinguishes premium refrigerators and freezers: top-quality design and technology down to the finest detail. And all that twice over.

The easily accessible refrigerators in the top part each have a spacious EasyFresh safe, where fruit and vegetables stay as fresh and vitamin-rich as if they were straight from the market. NoFrost technology in the two freezer units below ensures that your food is protected from icing up.

With two separate refrigeration circuits, DuoCooling prevents air exchange between the refrigerator and freezer compartments, thus protecting your food from transferred odours and drying out.

Technical data see page 88.

Easy  
Fresh

Duo  
Cooling

No  
Frost

Super  
Cool

Super  
Frost

Vario  
Temp

Soft  
System

Touch &  
Swipe-  
Display

Vario  
Space

Glass &  
Steel  
Interior

Light  
Tower



## The coolest sous chef

The 534.76.700 (XRFsdh 5220) side-by-side combination shows its strengths in everyday use, with its robust but elegant stainless steel exterior and its variable interior.

Whether refrigerated or frozen – the 534.76.700 (XRFsdh 5220) keeps your food fresh. In the refrigerator, for example, airtight EasyFresh safes ensure that salads stay crisp and fresh even after seven days. NoFrost keeps your frozen food permanently frost-free and saves you the trouble of defrosting the freezer.

Both appliances come with a clearly arranged touch display, and all the functions are right at your fingertips.

Technical data see page 89.

Easy  
Fresh

No  
Frost

Super  
Frost

Super  
Cool

Touch-  
Display

Space  
Box

Vario  
Space

Easy  
Open

Easy  
Twist Ice

Frost  
Protect



534.76.630 (SCNsdh 5253) ◉ Prime series

## Sweet taste of freshness

The BluPerformance 534.76.630 (SCNsdh 5253) fridge-freezer is a reliable companion for everyday use. The integrated appliance is compact in size, but all the more versatile in the options it offers you.

The refrigerator compartment in the upper part has variable height-adjustable shelves, perfectly illuminated by the innovative Light Tower. An EasyFresh safe ensures that unpackaged foods such as fruit, salads or vegetables retain their natural freshness. And the patented NoFrost technology permanently eliminates the chore of defrosting the freezer.

The two parts of the appliance are cooled by completely separate refrigeration circuits. This technology known as DuoCooling prevents air exchange between the refrigerator and freezer compartments, so your food won't dry out or absorb any unwanted odours.

Technical data see page 90.

Easy  
Fresh

Duo  
Cooling

No  
Frost

Super  
Cool

Super  
Frost

Vario  
Temp

Soft  
System

Touch &  
Swipe-  
Display

Vario  
Space

Glass &  
Steel  
Interior

Light  
Tower

# Fully intergrated appliances







For a clear overview.  
Even before you  
open the fridge.

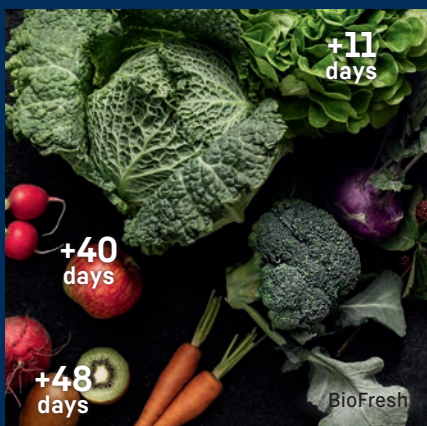
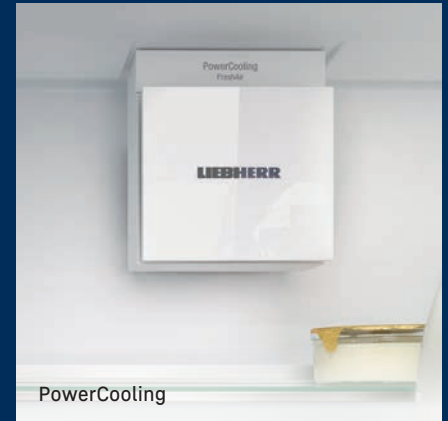
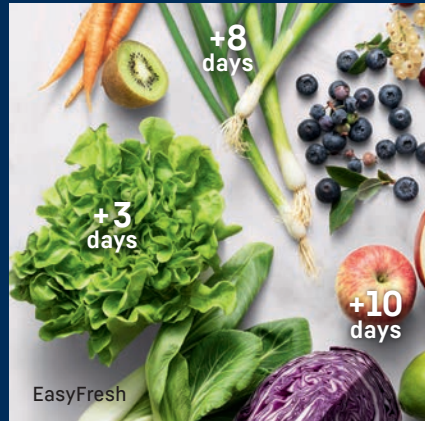
○ Pure

◇ Plus

△ Peak

## ○ Pure series

The Pure series is our basic class. Simple, clear and perfectly equipped for all essential needs. The Pure series has been reduced to the essentials. But full to the brim with the highest level of Liebherr quality.



## ◇ Plus series

The Plus series builds on our Pure series and has many impressive additional details. Above all, plus means a plus in comfort. The appliances not only provide first-class refrigerating and freezing, they are also just that little bit smarter. They help make much of the handling a little easier.

## △ Peak series

The Peak series sits at the top of our series. Here the best is combined with the best. There is no compromise. Innovative Liebherr technology meets high-end design and comfort solutions that are simply first in its class. Appliances in this series are for those who want everything.





BioFresh Professional 0°C

BioFresh Professional 0°C



Bio  
Fresh  
Professional

BioFresh 0°C



## Unique features



### PowerCooling

Do you want to be sure that the cold is distributed as evenly as possible in your refrigerator? If so, the PowerCooling system is what you need. The fan – as powerful as it is quiet – distributes the cold air efficiently throughout the entire refrigeration compartment.



### LightTower

Enjoy an optimally illuminated interior: the LightTower shows off the food in its best light and is positioned so that all of your filled fridge is illuminated at all times. The flush mounting of the LightTower in the side walls means there is also more space for your food.



### Touch & Swipe Display

Control of your Liebherr at your fingertips: thanks to the Touch & Swipe display, you can operate your refrigerator intuitively and with ease. Simply select functions such as SuperCool on the colour display by tapping and swiping. The temperature is controlled just as easily. And, what if you are not actively using the display? Well, it then shows you the actual temperature.



### Fish & Seafood safe

BioFresh Professional offers even more flexibility for the individual storage of food. The adjustable temperature range of 0 °C and -2 °C keeps fish and seafood fresh for significantly longer than in a conventional refrigeration compartment. The BioFresh Professional safe includes a versatile Fish & Seafood safe.



### IceMaker

Are there any ice cubes left? An IceMaker means you never have to ask. With the IceMaker with fixed water connection, the water comes directly from the tap. The MaxIce function allows you to produce up to 1.5 kg of ice cubes a day. The ice cube separator helps to divide the drawer into any size you want – for example, ice cubes on the left, ice cream on the right – or just for ice cubes.



### SuperSilent

Shhh – listen carefully. Your Liebherr is so quiet that you have to strain your ears to hear it. How is this achieved? All refrigeration components such as compressors, valves, fans and evaporators are optimised and perfectly adapted to one another. This means you only hear what you want to hear in your kitchen.



534.76.610 (SIFNh 5188) Δ Peak series | 534.16.770 (EWTdf 3553) | 534.76.580 (IRBh 5170) Δ Peak series

## The ultimate indulgence

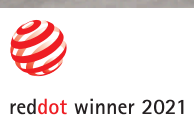
In the 534.76.580 (IRBh 5170) refrigerator, cold mist from HydroBreeze covers fruit and vegetable like a protective balm in the BioFresh Professional safe. Adjust the temperature down to  $-2^{\circ}\text{C}$  to create a low humidity environment for retaining the freshness of your catch of the day in the Fish & Seafood safe.

For parties and gatherings, IceTower in the 534.76.610 (SIFNh 5188) freezer produces up to 1.2 kg of ice cubes daily whereas VarioSpace provides added flexibility for large cakes.

The insulated triple glazed door of our 534.16.770 (EWTdf 3553) dual-zone wine cellar protects your finest collection from UV exposure. Handcrafted beechwood shelves on telescopic rails reduces vibrations, allowing wines to develop in peace.

Technical data see page 92/101.

Bio Fresh Professional	Hydro Breeze	Fish & Seafood	No Frost	Super Frost	Super Cool	Vario Space	Wine	2 Zones	Humidity Select	Fresh Air
Steel Interior	Presentation Board	Soft System	LED	Telescopic Rails	Soft-Telescopic Rails	Touch & Swipe-Display	Glass & Steel Interior	Light Tower	Ice Tower	



534.76.600 (IRBPh 5170) Δ Peak series



## Unrivalled haven of luxury

The 534.76.600 (IRBPh 5170) fits seamlessly into your kitchen cabinet. This premium refrigerator reveals its qualities as soon as you look the interior, which is perfectly illuminated by the innovative LightTower system.

OpenStage drawers of different heights not only offer ample space for food and a secure hold for drinks, but also a perfect view of them. The smooth-running telescopic rails make it easy to put things in and take them out.

Below them, the BioFresh safes live up to their name. Special compartments for fruit and vegetables as well as for meat and dairy products ensure optimum conditions with temperatures near 0 °C to preserve the natural freshness of the food.

Technical data see page 91.

Bio  
Fresh

Super  
Cool

Soft  
System

Touch &  
Swipe-  
Display

Open  
Stage

Glass &  
Steel  
Interior

Light  
Tower



534.76.550 (ICNh 5173) Δ Peak series | 534.76.560 (ICBNh 5173) Δ Peak series

## See food in a new light.

Our most premium range of new Fully Integrated appliances: Meet the 534.76.550 (ICNh 5173) and 534.76.560 (ICBNh 5173).

One highlight exclusive to the 534.76.560 (ICBNh 5173) is the brand new HydroBreeze which produces a fresh, cold mist that coats fruits and vegetables to ensure their crisp freshness. Temperature in the BioFresh Professional Fish & Seafood safe can be set to  $-2^{\circ}\text{C}$ , allowing you to retain the delicate taste of freshly bought seafood for longer periods.

The 534.76.550 (ICNh 5173) Fridge-Freezer with EasyFresh safes offers plenty of space for your favourite food and ingredients.

Both models in this combination are equipped with an IceMaker and a high-resolution Touch & Swipe display. Their exquisite interior craftsmanship of glass and stainless steel illuminated by our new LightTower makes every peek inside a visual experience.

Technical data see page 93.

Bio  
Fresh  
Professional

Easy  
Fresh

Duo  
Cooling

No  
Frost

Super  
Silent

Soft  
System

Glass &  
Steel  
Interior

Light  
Tower

LED

Ice  
Maker

Touch &  
Swipe-  
Display

## Built-in luxury

534.76.530 (ICNh 5123) and 534.76.540 (ICNh 5133): models from our new Fully Integrated selection.

This side-by-side fridge-freezer combination offers plenty of storage space with EasyFresh safes that allow different humidity modes for a wide array of fresh groceries. NoFrost technology ensures a permanently frost-free freezer compartment.

Thanks to Liebherr's door-on-door technology, our fully integrated appliances fit perfectly into spacious kitchens and integrate seamlessly into your existing cabinetry.

Being SuperSilent models due to the special design and low-noise components, this combination is extremely quiet. Thanks to our SoftSystem the appliance doors always close gently even when fully loaded.

Technical data see page 94.

Easy  
Fresh

Duo  
Cooling

No  
Frost

Super  
Silent

Soft  
System

LED

Ice  
Maker  
Water tank



## Wonderfully fresh, always

The sophisticated 534.76.520 (ICNh 5103) fits seamlessly into your kitchen: Elegant, slim, full of innovative features.

In the EasyFresh safe, you can store fresh fruits and vegetables in the best possible way. With its airtight seal, no moisture can escape and groceries stays as fresh and appetising as at the market stand.

Thanks to DuoCooling technology, this built-in fridge-freezer has two completely separate cooling circuits. This prevents any air exchange between the refrigerator and freezer compartments, keeping your food from drying out and eliminating odour transfers. Want to keep your homemade pizza or cake fresh? The 534.76.520 (ICNh 5103) even has room for a whole baking tray!

Technical data see page 95.

Easy  
Fresh

Duo  
Cooling

No  
Frost

Super  
Silent

Soft  
System

LED

Ice  
Maker  
Water tank





534.16.470 (ECBN 6256)



## Fresh on the inside, sleek on the outside

Behold the 534.16.470 (ECBN 6256) Fridge-Freezer with its magnificent French doors. Highlighted by BioFresh technology to provide targeted humidity for specific foods, this is your answer to style and freshness.

Our innovative DuoCooling system eliminates any odour transfers between the fridge and freezer compartments, while the plumb-in IceMaker provides an ample supply of perfect ice cubes.

Opt for our stainless steel panels and handles for that extra touch of elegance!

Technical data see page 96.



Bio  
Fresh

No  
Frost

Duo  
Cooling

Ice  
Maker

Soft  
System



53.16.670 (ECBN 5066)

## More space for fresh ideas

At 76 cm wide, the built-in 534.16.670 (ECBN 5066) Fridge-Freezer is a slimmer version of the 534.16.460 (ECBN 6156) model. Features a special satin-finish on the LED light cover to create an appealing and sophisticated interior ambience.

Two BioFresh safes allows you to organise different types of foods through targeted humidity. The DrySafe is perfect for meat, fish, and dairy products while the HydroSafe keeps fresh fruits and vegetables crisp and fresh for longer. Our plumbed-in IceMaker automatically keeps you topped up with ice to keep you cool in the heat.

Opt for our stainless steel panels and handles for that extra touch of elegance!

Technical data see page 97.

Bio  
Fresh

No  
Frost

Duo  
Cooling

Ice  
Maker

## The smooth operator

A unique pull-out model, the 534.16.680 (SUIKo 1550) Undercounter Fridge serves as a great option for kitchen islands.

Mounted on soft telescopic rails to enhance user-friendliness and convenience, it comes with a practical bottle shelf and removable fruit and vegetable drawer. The large drawer can also be divided into two equal-sized compartments, with further storage space underneath.

SuperCool function quickly reduces temperature which is perfect for rapidly cooling down freshly stored food. The innovative LED light and special satin finish of the light cover produces a pleasant lighting atmosphere.

Technical data see page 98.



## Convenience at your fingertips

Our space-saving undercounter appliances are the practical choice for compact living spaces. The 534.16.230 (SUIK 1510) Undercounter Fridge is great for fresh produce with height-adjustable glass shelves to ensure maximise storage flexibility.

The perfect companion for this undercounter fridge is the 534.16.240 (SUIG 1514) Undercounter Freezer with SmartFrost technology, allowing food to freeze faster and reducing ice build-up to make defrosting simpler and quicker.

Both models are equipped with innovative SoftSystem technology which ensures that the appliance door closes gently and automatically from an opening angle of approximately 30°. No ventilation grill is needed in your worktop as airflow enters and exits from the front of both undercounter models.

Technical data see page 99.



Soft  
System

Smart  
Frost







---

# Wine cabinets

---





On/Off



Ventilation



Light



Zone



Up



Down



Alarm



# Unique features



## LED lighting

The LED lighting in the individual wine compartments can be dimmed to give a pleasing ambient light inside the appliance. All Vinidor appliances are equipped with this innovative, no-heat LED lighting concept. The LED lighting can also be adjusted to operate continuously or in conjunction with door openings.



## Insulated glass door

Liebherr wine cabinets come with insulated glass doors with special UV protection. The double-glazed construction means that most of the damaging UV radiation is reflected away. In addition, LED lighting guarantees perfect illumination of the wine cabinet interior without risk of UV exposure.



## FreshAir activated charcoal filter

Environmental odours can have an wine stored for longer periods. Fresh air is supplied to Liebherr wine cabinets through the easily replaceable FreshAir activated charcoal filter to ensure optimal air quality.



## Handcrafted beechwood shelves

Our natural, handcrafted, and untreated beechwood shelves release no chemical aromas into the environment that could adversely influence the flavour of wine. In addition, wooden shelves contribute to the reduction of vibrations which allows wine to develop in peace.



## Touch electronic control system

Our touch electronic control system is easy to navigate and enables tailored storage options. Temperature can be set between +5 °C and +20 °C based on your preference. In our multi-temperature models, each wine safe can be controlled independently, allowing different types of wine to be stored in one wine cabinet.



## Compressor

Specially developed compressors installed in the wine cabinets from Liebherr ensure that the wines are stored in a particularly low vibration environment.



534.16.760 (WTes 5872)

## Created for true wine connoisseurs

The 534.16.760 (WTes 5872) Multi-temperature Wine Cabinet satisfies your thirst for the smartest, most elegant ways to store wine. It adds sophisticated flair to entertainment areas while providing ideal conditions for wine to mature successfully. With three adjustable temperature zones, you can simultaneously store red wine, white wine, and champagne all at their optimum serving temperature between +5 °C and +20 °C.

An insulated glass door protects wines from damaging UV radiation while the presentation shelves allow the perfect display of your finest collection. Specially developed compressors provide a low vibration environment and telescopic rails help shelves to slide out gently without causing sudden movements that could damage your wine. An activated charcoal filter provides a permanent supply of odourless, fresh air.

Technical data see page 100.

LED

Wine

Soft  
System

Telescopic  
Rails



reddot award 2018  
winner

534.16.770 (EWTdf 3553)

## Savour the difference with a Liebherr.

Like a shaken bottle of champagne, the 534.16.770 (EWTdf 3553) dual-zone wine cellar is absolutely exploding and overflowing with innovative features.

Its touchscreen controls are integrated into the insulation layer between the temperature zones, allowing you to set two different temperatures within the unit and simultaneously store red and white wines, each at its optimum drinking temperature. An insulated glass door protects your favourite collection from UV exposure while handcrafted beechwood shelves on telescopic rails reduces vibrations, allowing wines to develop in peace.

Seamlessly fit this built-in model into your customised kitchen décor or turn it into a stainless steel masterpiece with our selection of accessories.

Technical data see page 101.

2  
Zones

Humidity  
Select

Fresh  
Air

Soft  
System

Telescopic  
Rails

Presentation  
Board

LED

Steel  
Interior



LED

Wine

Telescopic  
Rails

534.16.650 (UWTgb 1682)



## The right temperature, always

The dual-zone 534.16.650 (UWTgb 1682) winecabinet, with its unique black glass frame, is designed to be a highlight in your home. Our favourite feature is the innovative TipOpen mechanism that allows you the convenience of opening the appliance door with just one gentle tap! Our natural, handcrafted, untreated beechwood shelves release no chemical aromas and reduce vibrations so that your wine can develop in peace.

This elegant undercounter model will fit perfectly into your kitchen island or bar counter. With two independent temperature zones, you will be able to store different varieties of wines simultaneously, each at its optimum drinking or serving temperature.

Technical data see page 102.

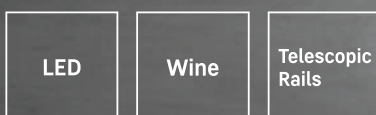
## A cabinet full of treasures

The 534.16.790 (UWKes 1752) Undercounter Wine Cabinet is ideal for storing wines for extended periods, allowing them to mature to perfection. Its LED lighting ensures uniform illumination of the interior without any damages caused by UV light.

If you like reds, whites, as well as champagne, pair the 534.16.790 (UWKes 1752) with our dual-temperature zone model 534.16.610 (UWTes 1672). Now enjoy your favourite bottles all stored at their desired temperatures between +5 °C to +20 °C!

Also available in Beverage center 534.16.730 (UKes 1752) for the best of both worlds.

Technical data see page 102/103.



534.16.610 (UWTes 1672) | 534.16.730 (UKes 1752)





LED

Wine

Telescopic  
Rails

534.16.780 (WKEes 553)

## Classic and sleek, fits anywhere

Take advantage of the design flexibility of Liebherr's fully integrated 534.16.780 (WKEes 553) Wine Cabinet – Place this sleek, modular model anywhere in your home and proudly display your best wine collection at eye level.

Temperature is adjustable from +5 °C to +20 °C and the LED ceiling light is dimmable to cast a cool glow across the room. The insulated glass door with UV protection and activated charcoal filter protects your wine from light and odour. This compact unit holds up to 18 Bordeaux bottles in an ideal storage environment.

Technical data see page 101.



---

# Liebherr Barrique

---







## Unique features



### LED lighting

The tinted glass door provides not only a perfect UV protection, but also an optimum glance at wine. The integrated LED lighting ensures a pleasant illumination of the complete interior.



### Precision electronics

The precise electronic control system is equipped with a digital temperature display. The door and temperature alarm alerts of any irregularities, e.g. when the door is left open. The integrated lock on the front panel prevents unwanted access to the stored bottles.



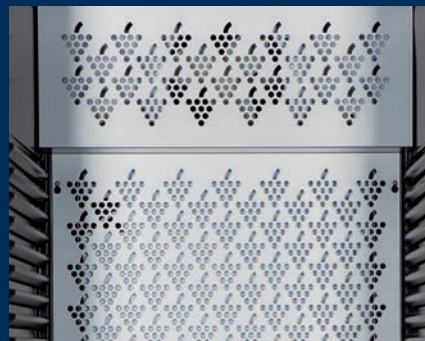
### Handcrafted beechwood shelves

Our natural, handcrafted, and untreated beechwood shelves release no chemical aromas into the environment that could adversely influence the flavour of wine. In addition, wooden shelves contribute to the reduction of vibrations which allows wine to develop in peace.



### Presentation shelf

The presentation shelf, equipped with wooden angles, is ideal for presenting wine and storing open bottles safely. Up to 6 bottles can be set upright on the flexible shelf. In addition further bottles can be stored lying down either behind or at the side.



### Optimum humidity

Liebherr wine cabinets guarantee an optimum humidity and this ensured the corks are supple in place whilst still allowing the wine to breathe in its maturing process.



### Activated charcoal filter

The easy replaceable active charcoal filter purifies the incoming air to obtain an optimum odour-free interior.



534.16.895 (WKb 4612)

## Perfect display for all your favourites

With the capacity to hold 195 Bordeaux bottles, the spacious Liebherr Barrique 534.16.895 (WKb 4612) Wine Cabinet is ideal for the long-term storage and maturation of wines.

Constant temperature can be set as desired between +5 °C to +20 °C via the intuitive control system with digital temperature display.

Thanks to its coated glass door, wines will always be well-protected from UV radiation. Efficient LED lighting ensures that the interior is illuminated evenly and pleasantly, allowing you to proudly showcase your prized collection.

Technical data see page 104.



## Wine storage sophistication for your home

The 534.16.896 (WKb 4611) Wine Cabinet mimics the conditions of an underground wine cellar where its solid door creates a dark, undisturbed environment with zero exposure to UV light and heat fluctuations – perfect for maturing wines.

When humidity level falls below 50 %, natural corks begin to shrink, causing oxygen to enter the bottle and damage stored wines. With a humidity range between 50 % – 80 %, Liebherr wine cabinets guarantee the ideal conditions to preserve the suppleness of wine corks which in turn prevents oxidation.

Your wines are always stored safely on our untreated beech wood shelves while an activated charcoal filter provides optimal air quality.

Technical data see page 104.





534.16.896 (WKb 4611)

## Superb conditions for fine wines

---

Our most compact model from the Liebherr Barrique series, the 534.16.890 (WKb 1712) Wine Cabinet can store up to 60 Bordeaux bottles. Wines are stored optimally on three untreated, height-adjustable beech wood shelves.

Wines are well protected from UV radiation thanks to a tinted insulated glass door while the activated charcoal filter provides optimum air quality and is easy to replace.

Energy-efficient LED lighting ensures even and pleasant illumination so that your favourite bottles are seen in the best light.

Technical data see page 105.









---

Design and lifestyle

---



**LIEBHERR**

GrandCru



Light



Up



Down

18 °C



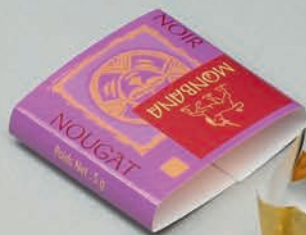
On/Off



Ventilation



Alarm



## Unique features



### LED lighting in humididor

Liebherr's ZKes 453 has LED lighting with dimmer function incorporated in the glass door. As the LEDs emit virtually no heat, the cigars can be exposed to the light for long periods of time without damage.



### LED lighting in wine cabinet

For ideal presentation of your best wine, the WKes 653 features LED lighting with dimmer function and separate switch. As the LEDs emit minimal heat and no UV radiation, wine can be showcased bathed in light for lengthy periods without compromising its quality.



### Fine cedar wood

Our ZKes 453 humididor features two presentation boxes and two wooden shelves crafted from Spanish cedar wood. The presentation boxes are perfect for storing loose cigars.



### Wall mount option

Both the WKes 653 wine cabinet and ZKes 453 humididor can be wall-mounted as an attractive eye-catcher with convenient access for serving.



### Ideal humidity

The integrated water tray can accommodate one liter of distilled water for ideal humidity. Sensors regulate precise humidity level selected. The display informs when water needs to be replenished.



### Touch electronic control system

The perfect wine storage temperature is +8 °C to +12 °C. White wine should ideally be stored below +10 °C and red wine at up to +18 °C. Our electronic control system allows temperature to be set to the exact degree required between +5 °C to +20 °C.



LED

Wine

Smart  
Steel

Cigar

534.16.750 (WKes 653) | 534.16.690 (ZKes 453)

## The perfect indulgence

The 534.16.690 (ZKes 453) Humidor offers the perfect micro-climate for storing beloved cigars through fully-customisable humidity settings. Natural, handmade cigars are both delicate and sensitive, requiring a balanced mix of temperature and humidity to achieve the optimum flavour. The compartments in our humidor are crafted from Spanish cedar wood which allows its aroma to enhance the unique flavour of refined cigars.

For the perfect indulgence, pair the humidor with our 534.16.750 (WKes 653) Wine Cabinet. It has a compact footprint yet manages to hold up to 12 Bordeaux bottles. LED lighting and dimmer function ensures perfect illumination for your selection of coveted wines.

Coated with a beautiful SmartSteel surface, both units are easy to clean and maintain. Opt to wall-mount this stunning pair to give it the attention it deserves.

Technical data see page 106.



## Freestanding



### 534.76.731

(XRFbsh 5265)

Prime



#### SFNbsh 5267

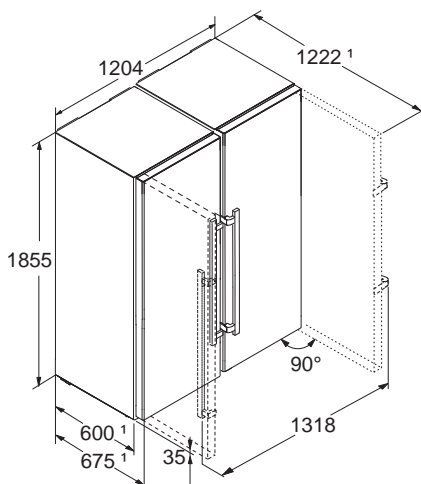
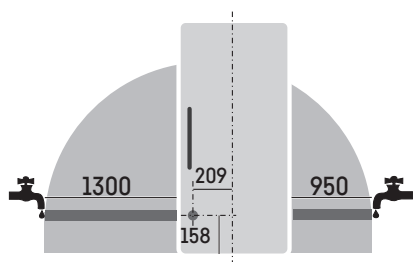
Freezer capacity litre	262
Number of freezer drawers	7
Electronic control	2.4" TFT-colour display, Touch & Swipe
Door / side walls	BlackSteel with SmartSteel / BlackSteel with SmartSteel
Freezer temperature range °C	-15 °C to -28 °C
Temperature alarm	visual and acoustic
Defrost type	automatic
Interior light	LED interior lighting
Door alarm	visual and acoustic
IceMaker	fixed water connection 3/4"
Ice cube output kg/24h	0.8
SoftSystem	yes
Door hinges	left, reversible
Product dimensions (H/W/D) cm	185.5 / 59.7 / 67.5
Net weight kg	77.7
Voltage V/Hz	220-240/50-60

#### SRBbsh 5260

Refrigerator capacity litre	378
BioFresh comp. litre	133
Number of shelves	6
Number of door racks	4
Number of BioFresh drawers	3 with LED lighting
Electronic control	2.4" TFT-colour display, Touch & Swipe
Door / side walls	BlackSteel with SmartSteel / BlackSteel with SmartSteel
Refrigerator temperature range °C	+2 °C to +9 °C
Interior light	LED light panel on both sides
Door alarm	visual and acoustic
SoftSystem	yes
Door hinges	right, reversible
Product dimensions (H/W/D) cm	185.5 / 59.7 / 67.5
Net weight kg	78
Voltage V/Hz	220-240/50-60



#### Installation Diagram



Freestanding



←121→



## 534.76.730

(XRFsdh 5265)

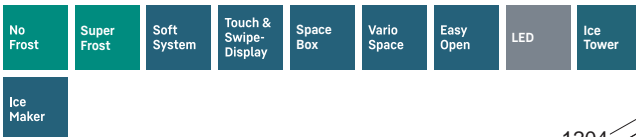
Prime

### SFNsdh 5267

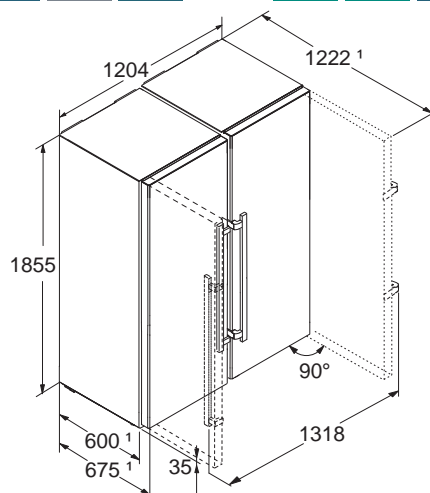
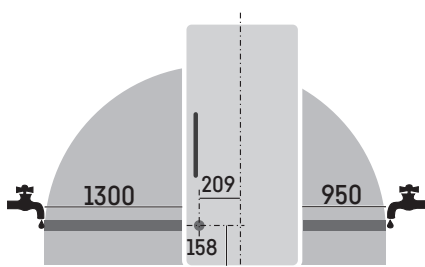
Freezer capacity litre	262
Number of freezer drawers	7
Electronic control	2.4" TFT-colour display, Touch & Swipe
Door / side walls	stainless steel with SmartSteel / silver
Freezer temperature range °C	-15 °C to -28 °C
Temperature alarm	visual and acoustic
Defrost type	automatic
Interior light	LED interior lighting
Door alarm	visual and acoustic
IceMaker	fixed water connection 3/4"
Ice cube output kg/24h	0.8
SoftSystem	yes
Door hinges	left, reversible
Product dimensions (H/W/D) cm	185.5 / 59.7 / 67.5
Net weight kg	78.3
Voltage V/Hz	220-240/50-60

### SRBsdh 5260

Refrigerator capacity litre	378
BioFresh comp. litre	133
Number of shelves	6
Number of door racks	4
Number of BioFresh drawers	3 with LED lighting
Electronic control	2.4" TFT-colour display, Touch & Swipe
Door / side walls	stainless steel with SmartSteel / silver
Refrigerator temperature range °C	+2 °C to +9 °C
Defrost type	automatic
Interior light	LED light panel on both sides
Door alarm	visual and acoustic
SoftSystem	yes
Door hinges	right, reversible
Product dimensions (H/W/D) cm	185.5 / 59.7 / 67.5
Net weight kg	79
Voltage V/Hz	220-240/50-60



### Installation Diagram



## Freestanding



←121→

### 534.76.710

(XCCsdh 5250)

Prime

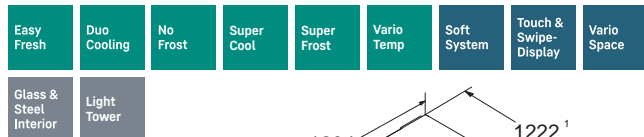
BLU  
Performance

#### SCNsdh 5253

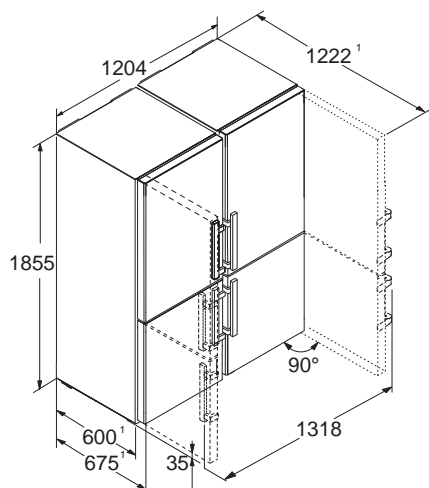
Refrigerator capacity litre	217
Freezer capacity litre	94
Number of shelves	5
Number of door racks	2
Number of freezer drawers	3 with LED lighting
Number of EasyFresh drawers	1
Electronic control	2.4" TFT-colour display, Touch & Swipe
Door / side walls	stainless steel with SmartSteel / silver
Refrigerator temperature range °C	+2°C to +14°C
Freezer temperature range °C	-15°C to -26°C
Temperature alarm	visual and acoustic
Defrost type	automatic
Interior light	LED light panel on both sides
Door alarm	visual and acoustic
SoftSystem	yes
Door hinges	left, reversible
Product dimensions (H/W/D) cm	185.5 / 59.7 / 67.5
Net weight kg	81
Voltage V/Hz	220-240/50-60

#### SCNsdh 5253

Refrigerator capacity litre	217
Freezer capacity litre	94
Number of shelves	5
Number of door racks	2
Number of freezer drawers	3 with LED lighting
Number of EasyFresh drawers	1
Electronic control	2.4" TFT-colour display, Touch & Swipe
Door / side walls	stainless steel with SmartSteel / silver
Refrigerator temperature range °C	+2°C to +14°C
Freezer temperature range °C	-15°C to -26°C
Temperature alarm	visual and acoustic
Defrost type	automatic
Interior light	LED light panel on both sides
Door alarm	visual and acoustic
SoftSystem	yes
Door hinges	right, reversible
Product dimensions (H/W/D) cm	185.5 / 59.7 / 67.5
Net weight kg	78.7
Voltage V/Hz	220-240/50-60



#### Installation Diagram





Freestanding



←121→



## 534.76.700

(XRFsdh 5220)

Plus

### SFNsdh 5227

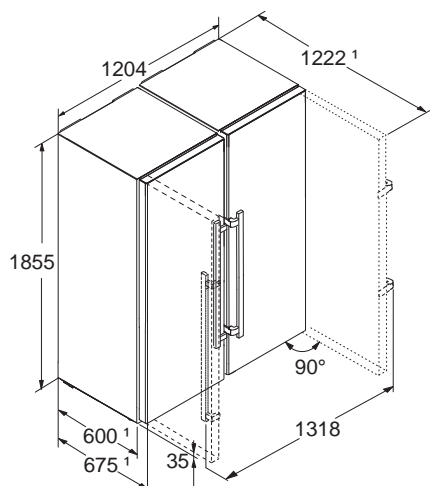
Freezer capacity litre	271
Number of freezer drawers	7
Electronic control	LCD display monochrome, touch electronic
Door / side walls	stainless steel with SmartSteel / silver
Freezer temperature range °C	-15 °C to -28 °C
Temperature alarm	visual and acoustic
Defrost type	automatic
Door alarm	visual and acoustic
Door hinges	left, reversible
Product dimensions (H/W/D) cm	185.5 / 59.7 / 67.5
Net weight kg	68.6
Voltage V/Hz	220-240/50-60

### SRsdh 5220

Refrigerator capacity litre	384
Number of shelves	7
Number of door racks	4
Number of EasyFresh drawers	1
Number of fruit and vegetable drawers	1
Electronic control	LCD display monochrome, touch electronic
Door / side walls	stainless steel with SmartSteel / silver
Refrigerator temperature range °C	+2 °C to +9 °C
Defrost type	automatic
Interior light	LED ceiling lighting
Door alarm	visual and acoustic
Door hinges	right, reversible
Product dimensions (H/W/D) cm	185.5 / 59.7 / 67.5
Net weight kg	70.6
Voltage V/Hz	220-240/50-60



### Installation Diagram



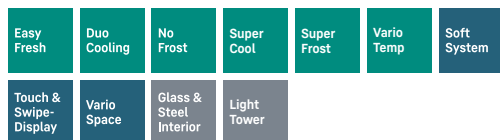
## Freestanding



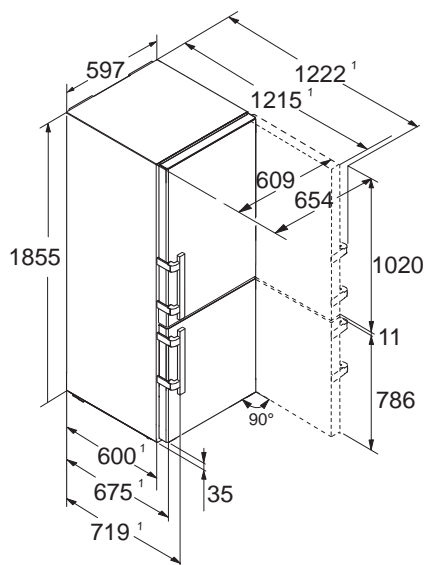
**534.76.630**  
(SCNsdh 5253)  
Prime



Refrigerator capacity litre	217
Freezer capacity litre	94
Number of shelves	5
Number of door racks	2
Number of freezer drawers	3 with LED lighting
Number of EasyFresh drawers	1
Electronic control	2.4" TFT-colour display, Touch & Swipe
Door / side walls	stainless steel with SmartSteel / silver
Refrigerator temperature range °C	+2 °C to +14 °C
Freezer temperature range °C	-15 °C to -26 °C
Temperature alarm	visual and acoustic
Defrost type	automatic
Interior light	LED light panel on both sides
Door alarm	visual and acoustic
SoftSystem	yes
Door hinges	left, reversible
Product dimensions (H/W/D) cm	185.5 / 59.7 / 67.5
Net weight kg	81
Voltage V/Hz	220-240/50-60



### Installation Diagram





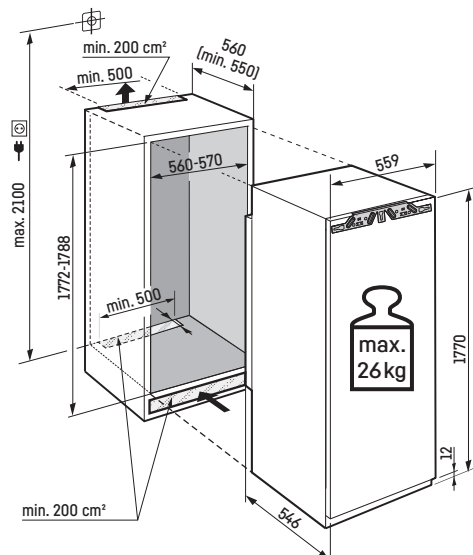
### 534.76.600 (IRBPh 5170) Peak

Refrigerator capacity litre	291
BioFresh comp. litre	96
Number of OpenStage drawers	5
Number of BioFresh drawers	3 with LED lighting
Electronic control	2.4" TFT-colour display, Touch & Swipe
Refrigerator temperature range °C	+3 °C to +9 °C
Temperature alarm	visual and acoustic
Defrost type	automatic
Interior light	LED light panel on both sides
Door alarm	visual and acoustic
SoftSystem	yes
Door hinges	right, reversible
Product dimensions (H/W/D) cm	177 / 55.9 / 54.6
Cut out dimensions (H/W/D) cm	177.2-178.8 / 56-57 / 55
Net weight kg	74.0
Voltage V/Hz	220-240/50-60



#### Installation Diagram

NB: The cupboard door is attached to the appliance door (door on door assembly).  
No cupboard hinges required.



## Fully Integrated



↑  
178  
↓

**534.76.610**  
(SIFNh 5188)  
Peak

Freezer capacity litre	200
Number of freezer drawers	8
Electronic control	2.4" TFT-colour display, Touch & Swipe
Freezer temperature range °C	-15 °C to -28 °C
Temperature alarm	visual and acoustic
Defrost type	automatic
Door alarm	visual and acoustic
SoftSystem	yes
Door hinges	left, reversible
Product dimensions (H/W/D) cm	177 / 55.9 / 54.6
Cut out dimensions (H/W/D) cm	177.2-178.8 / 56-57 / 55
Net weight kg	82.1
Voltage V/Hz	220-240/50-60



↑  
178  
↓

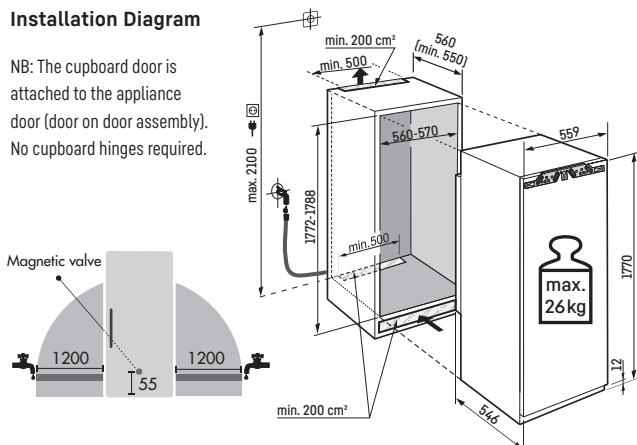
**534.76.580**  
(IRBh 5170)  
Peak

Refrigerator capacity litre	287
BioFresh comp. litre	92
Number of shelves	8
Number of door racks	4
Number of BioFresh drawers	3 with LED lighting
Electronic control	2.4" TFT-colour display, Touch & Swipe
Refrigerator temperature range °C	+3 °C to +9 °C
Defrost type	automatic
Interior light	LED light panel on both sides
Door alarm	visual and acoustic
SoftSystem	yes
Door hinges	right, reversible
Product dimensions (H/W/D) cm	177 / 55.9 / 54.6
Cut out dimensions (H/W/D) cm	177.2-178.8 / 56-57 / 55
Net weight kg	73.5
Voltage V/Hz	220-240/50-60



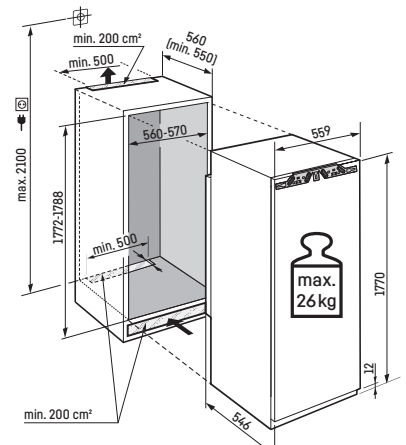
### Installation Diagram

NB: The cupboard door is attached to the appliance door (door on door assembly). No cupboard hinges required.



### Installation Diagram

NB: The cupboard door is attached to the appliance door (door on door assembly). No cupboard hinges required.

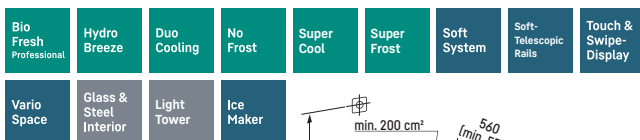




↑  
178  
↓

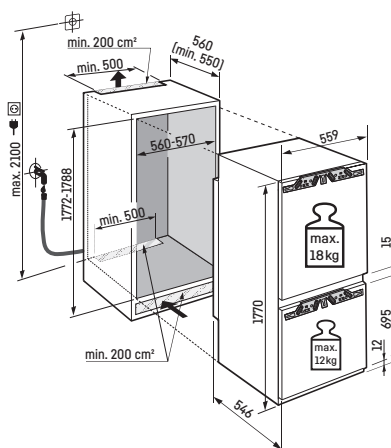
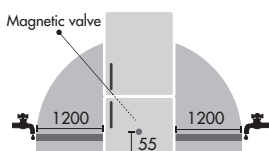
**534.76.560**  
(ICBNh 5173)  
Peak

Refrigerator capacity litre	172
BioFresh comp. litre	69
Freezer capacity litre	67
Number of shelves	4
Number of door racks	2
Number of freezer drawers	3 with LED lighting
Number of BioFresh drawers	2 with LED lighting
Electronic control	2.4" TFT-colour display, Touch & Swipe
Refrigerator temperature range °C	+3°C to +9°C
Freezer temperature range °C	-15°C to -26°C
Temperature alarm	visual and acoustic
Defrost type	automatic
Interior light	LED light panel on both sides
Door alarm	visual and acoustic
IceMaker	fixed water connection 3/4"
Ice cube output kg/24h	1.2
SoftSystem	yes
Door hinges	left, reversible
Product dimensions (H/W/D) cm	177 / 55.9 / -
Cut out dimensions (H/W/D) cm	177.2-178.8 / 56-57 / 55
Net weight kg	76.6
Voltage V/Hz	220-240/50-60



### Installation Diagram

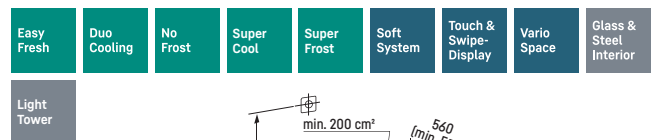
NB: The cupboard door is attached to the appliance door (door on door assembly). No cupboard hinges required.



↑  
178  
↓

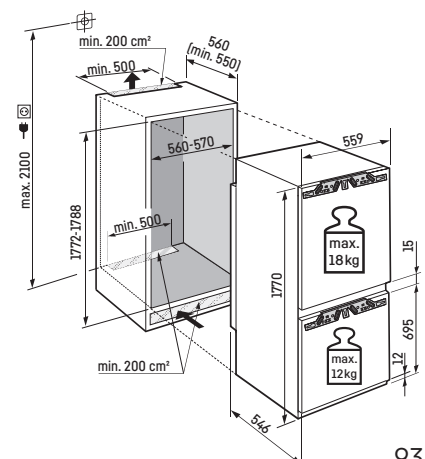
**534.76.550**  
(ICNh 5173)  
Peak

Refrigerator capacity litre	174
Freezer capacity litre	69
Number of shelves	6
Number of door racks	3
Number of freezer drawers	3 with LED lighting
Number of EasyFresh drawers	1
Electronic control	2.4" TFT-colour display, Touch & Swipe
Refrigerator temperature range °C	+2°C to +9°C
Freezer temperature range °C	-15°C to -26°C
Temperature alarm	visual and acoustic
Defrost type	automatic
Interior light	LED light panel on both sides
Door alarm	visual and acoustic
SoftSystem	yes
Door hinges	right, reversible
Product dimensions (H/W/D) cm	177 / 55.9 / 54.6
Cut out dimensions (H/W/D) cm	177.2-178.8 / 56-57 / 55
Net weight kg	74
Voltage V/Hz	220-240/50/60



### Installation Diagram

NB: The cupboard door is attached to the appliance door (door on door assembly). No cupboard hinges required.



## Fully Integrated



↑  
178  
↓

### 534.76.540

(ICNh 5133)  
Plus

Refrigerator capacity litre	182
Freezer capacity litre	67
Number of shelves	6
Number of door racks	3
Number of freezer drawers	3
Number of EasyFresh drawers	1
Electronic control	LCD display monochrome, touch electronic
Refrigerator temperature range °C	+2°C to +9°C
Freezer temperature range °C	-15°C to -26°C
Temperature alarm	visual and acoustic
Defrost type	automatic
Interior light	LED ceiling lighting
Door alarm	visual and acoustic
IceMaker	watertank
Ice cube output kg/24h	1.2
SoftSystem	yes
Door hinges	right, reversible
Product dimensions (H/W/D) cm	177 / 55.9 / 54.6
Cut out dimensions (H/W/D) cm	177.2-178.8 / 56-57 / 55
Net weight kg	68.9
Voltage V/Hz	220-240/50-60

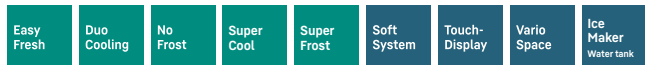


↑  
178  
↓

### 534.76.530

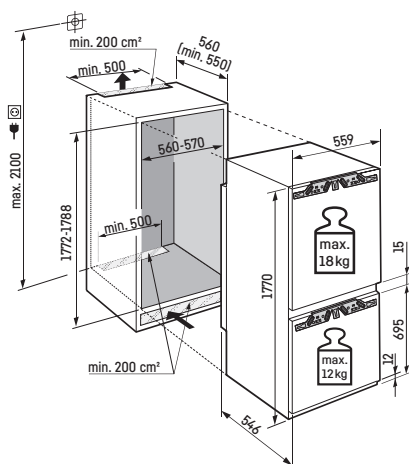
(ICNh 5123)  
Plus

Refrigerator capacity litre	182
Freezer capacity litre	69
Number of shelves	6
Number of door racks	3
Number of freezer drawers	3
Number of EasyFresh drawers	1
Electronic control	LCD display monochrome, touch electronic
Refrigerator temperature range °C	+2°C to +9°C
Freezer temperature range °C	-15°C to -26°C
Temperature alarm	visual and acoustic
Defrost type	automatic
Interior light	LED ceiling lighting
Door alarm	visual and acoustic
IceMaker	no
SoftSystem	yes
Door hinges	right, reversible
Product dimensions (H/W/D) cm	177 / 55.9 / 54.6
Cut out dimensions (H/W/D) cm	177.2-178.8 / 56-57 / 55
Net weight kg	66.9
Voltage V/Hz	220-240/50-60



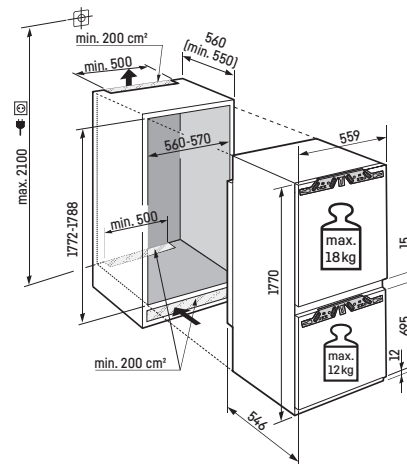
### Installation Diagram

NB: The cupboard door is attached to the appliance door (door on door assembly). No cupboard hinges required.



### Installation Diagram

NB: The cupboard door is attached to the appliance door (door on door assembly). No cupboard hinges required.





**534.76.520**

(ICNh 5103)

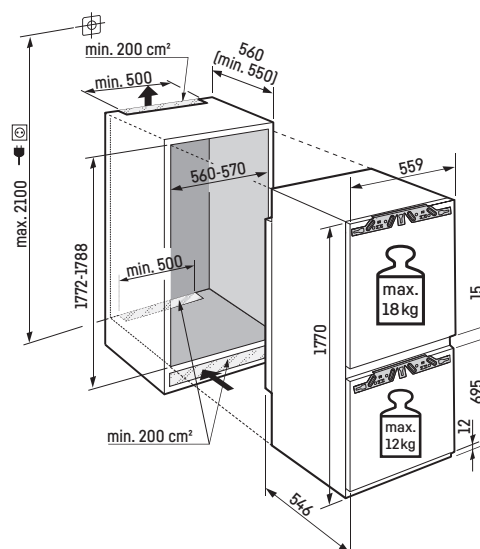
Pure

Refrigerator capacity litre	251
Freezer capacity litre	69
Number of shelves	4
Number of door racks	3
Number of freezer drawers	3
Number of EasyFresh drawers	1
Electronic control	LCD display monochrome, touch electronic
Refrigerator temperature range °C	+2 °C to +9 °C
Freezer temperature range °C	-15 °C to -26 °C
Defrost type	automatic
Interior light	LED ceiling lighting
Door alarm	visual and acoustic
Door hinges	right, reversible
Product dimensions (H/W/D) cm	177 / 55.9 / 54.6
Cut out dimensions (H/W/D) cm	177.2-178.8 / 56-57 / 55
Net weight kg	64.5
Voltage V/Hz	220-240/50-60



### Installation Diagram

NB: The cupboard door is attached to the appliance door (door on door assembly).  
No cupboard hinges required.



Fully Integrated



← 91 → 203  
↑  
↓

**534.16.470**  
(ECBN 6256)  
PremiumPlus

Refrigerator capacity litre	<b>357</b>
BioFresh comp. litre	<b>68</b>
Freezer capacity litre	<b>114</b>
Number of shelves / Number of door racks	<b>4 / 6</b>
Number of freezer drawers	<b>2 with LED lighting</b>
Number of BioFresh drawers	<b>2 with LED lighting</b>
Electronic control	<b>MagicEye with digital temp. display, touch electronic</b>
Refrigerator temperature range °C	<b>+3 °C to +9 °C</b>
Freezer temperature range °C	<b>-14 °C to -28 °C</b>
Temperature alarm	<b>visual and acoustic</b>
Defrost type	<b>automatic</b>
Interior light	<b>LED light column on both sides and LED ceiling lighting</b>
Door alarm	<b>acoustic</b>
Water filter	<b>yes</b>
IceMaker	<b>fixed water connection 3/4"</b>
Ice cube output kg/24h	<b>1.3</b>
SoftSystem	<b>yes</b>
Door hinges	<b>left / right</b>
Product dimensions (H/W/D) cm	<b>202.7 / 91 / 61</b>
Cut out dimensions (H/W/D) cm	<b>203.2-207.2 / 91.5 / 63.5</b>
Net weight kg	<b>161</b>
Voltage V/Hz	<b>220 - 240/50</b>



← 91 → 203  
↑  
↓

**534.16.460**  
(ECBN 6156)  
PremiumPlus

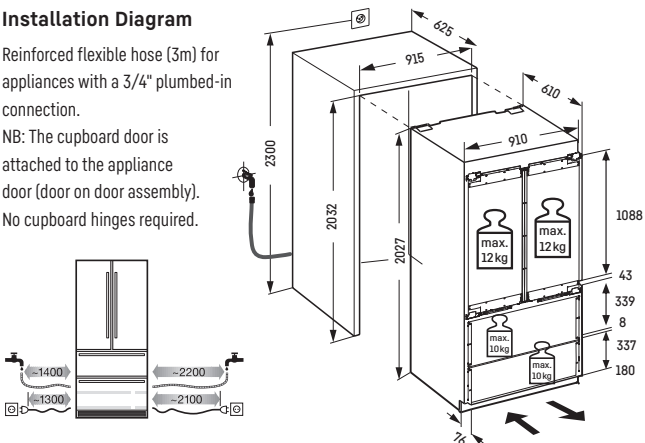
Refrigerator capacity litre	<b>364</b>
BioFresh comp. litre	<b>69</b>
Freezer capacity litre	<b>116</b>
Number of shelves	<b>4</b>
Number of door racks	<b>6</b>
Number of freezer drawers	<b>2 with LED lighting</b>
Number of BioFresh drawers	<b>2 with LED lighting</b>
Electronic control	<b>MagicEye with digital temp. display, touch electronic</b>
Refrigerator temperature range °C	<b>+3 °C to +9 °C</b>
Freezer temperature range °C	<b>-14 °C to -28 °C</b>
Temperature alarm	<b>visual and acoustic</b>
Defrost type	<b>automatic</b>
Interior light	<b>LED light column on both sides and LED ceiling lighting</b>
Door alarm	<b>acoustic</b>
Water filter	<b>yes</b>
IceMaker	<b>fixed water connection 3/4"</b>
Ice cube output kg/24h	<b>1.3</b>
Door hinges	<b>right</b>
Product dimensions (H/W/D) cm	<b>202.7 / 91 / 61</b>
Cut out dimensions (H/W/D) cm	<b>203.2-207.2 / 91.5 / 63.5</b>
Net weight kg	<b>164</b>
Voltage V/Hz	<b>220 - 240/50</b>



### Installation Diagram

Reinforced flexible hose (3m) for appliances with a 3/4" plumbed-in connection.

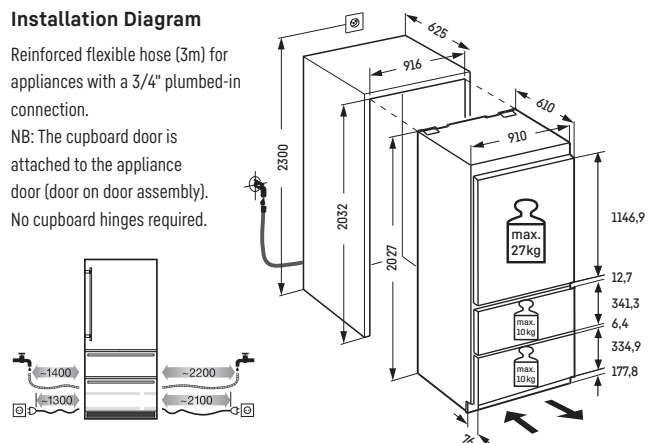
NB: The cupboard door is attached to the appliance door (door on door assembly).  
No cupboard hinges required.



### Installation Diagram

Reinforced flexible hose (3m) for appliances with a 3/4" plumbed-in connection.

NB: The cupboard door is attached to the appliance door (door on door assembly).  
No cupboard hinges required.







### 534.16.670 (ECBN 5066) PremiumPlus

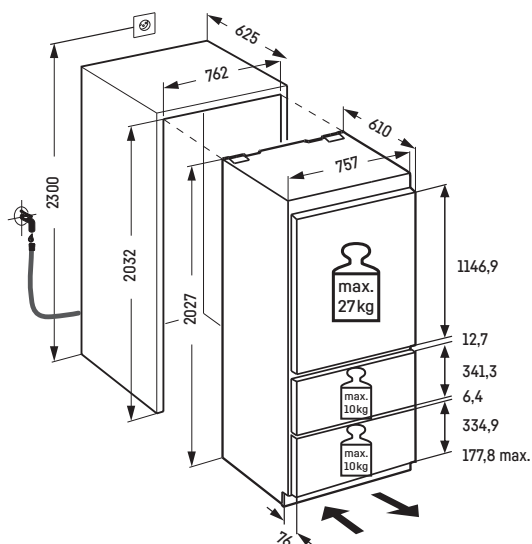
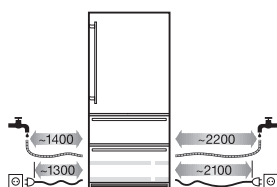
Refrigerator capacity litre	276
BioFresh comp. litre	57
Freezer capacity litre	103
Number of shelves	4
Number of door racks	3
Number of freezer drawers	2 with LED lighting
Number of BioFresh drawers	2 with LED lighting
Electronic control	MagicEye with digital temp. display, touch electronic
Refrigerator temperature range °C	+3°C to +9°C
Freezer temperature range °C	-14°C to -28°C
Temperature alarm	visual and acoustic
Defrost type	automatic
Interior light	LED light column on both sides
Door alarm	acoustic
Water filter	yes
IceMaker	fixed water connection 3/4"
Ice cube output kg/24h	1.0
Door hinges	right, reversible
Product dimensions (H/W/D) cm	202.4 / 75.7 / 61
Cut out dimensions (H/W/D) cm	203.2-207.2 / 76.2 / 63.5
Net weight kg	147
Voltage V/Hz	220 - 240/50



#### Installation Diagram

Reinforced flexible hose (3m) for appliances with a 3/4" plumbed-in connection.

NB: The cupboard door is attached to the appliance door (door on door assembly).  
No cupboard hinges required.



## Undercounter



### 534.16.680 (SUIKo 1550) Premium

Refrigerator capacity litre	124
Number of shelves	2
Number of fruit and vegetable drawers	1
Electronic control	MagicEye with LCD temp. display, key electronic
Refrigerator temperature range °C	+2°C to +9°C
Defrost type	automatic
Interior light	LED ceiling lighting
Door alarm	visual and acoustic
Door type	steel
Door hinges	pullout
Product dimensions (H/W/D) cm	82 / 59.7 / 55
Cut out dimensions (H/W/D) cm	82-88 / 60 / 55
Net weight kg	41.5
Voltage V/Hz	220-240/50



### Installation Diagram

NB: The cupboard door is attached to the appliance door (door on door assembly).

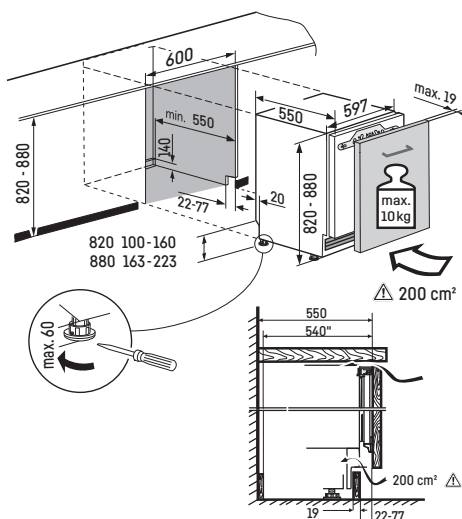
No cupboard hinges required.

Plinth height at appliance height of 820 mm

(height of worktop 850 mm) adjustable between 100 and 160 mm,

or between 163 and 223 mm at appliance height of 880 mm

(height of worktop 900 mm). Depth of plinth 22-77 mm.





**534.16.240**  
(SUIG 1514)  
Comfort

Freezer capacity litre	95
Number of freezer drawers	3
Electronic control	MagicEye with LCD temp. display, key electronic
Freezer temperature range °C	-14 °C to -26 °C
Temperature alarm	visual and acoustic
Defrost type	manual
Door alarm	visual and acoustic
Door type	steel
SoftSystem	yes
Door hinges	left, reversible
Product dimensions (H/W/D) cm	82 / 59.7 / 55
Cut out dimensions (H/W/D) cm	82-88 / 60 / 55
Net weight kg	38.2
Voltage V/Hz	220-240/50



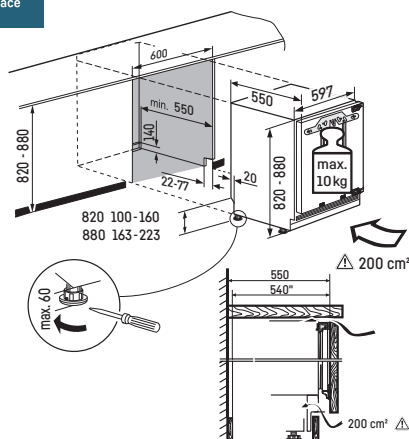
**534.16.230**  
(SUIK 1510)  
Comfort

Refrigerator capacity litre	136
Number of shelves	4
Number of door racks	2
Number of fruit and vegetable drawers	1
Electronic control	MagicEye with LCD temp. display, key electronic
Refrigerator temperature range °C	+2 °C to +9 °C
Defrost type	automatic
Interior light	LED interior lighting
Door alarm	visual and acoustic
Door type	steel
SoftSystem	yes
Door hinges	right, reversible
Product dimensions (H/W/D) cm	82 / 59.7 / 55
Cut out dimensions (H/W/D) cm	82-88 / 60 / 55
Net weight kg	34.5
Voltage V/Hz	220-240/50/60



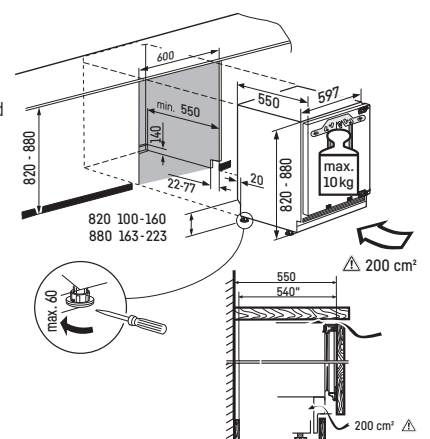
### Installation Diagram

NB: The cupboard door is attached to the appliance door (door on door assembly). No cupboard hinges required. Plinth height at appliance height of 820 mm (height of worktop 850 mm) adjustable between 100 and 160 mm, or between 163 and 223 mm at appliance height of 880 mm (height of worktop 900 mm). Depth of plinth 22-77 mm.



### Installation Diagram

NB: The cupboard door is attached to the appliance door (door on door assembly). No cupboard hinges required. Plinth height at appliance height of 820 mm (height of worktop 850 mm) adjustable between 100 and 160 mm, or between 163 and 223 mm at appliance height of 880 mm (height of worktop 900 mm). Depth of plinth 22-77 mm.



## Wine Cabinets



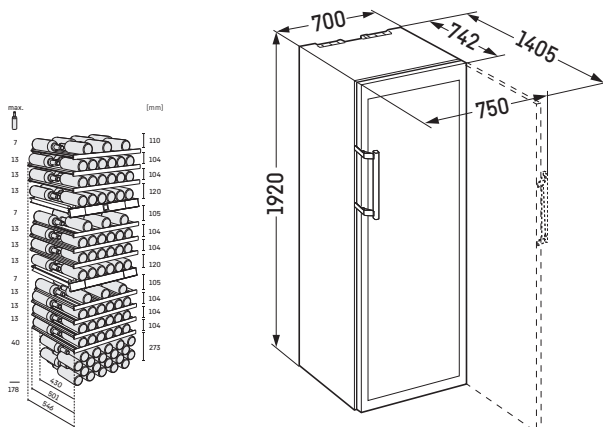
### 534.16.760

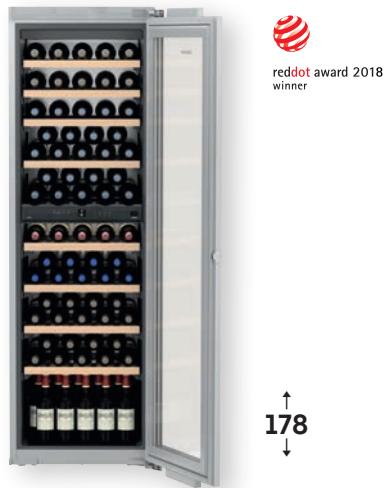
(WTes 5872)  
Vinidor

Total capacity litre	511
Max. No. of Bordeaux bottles (0.75l) *	178
Total no. of storage shelves (incl. bottom compartment)	13
Shelves on telescopic rails	10
Shelf material	beech wood shelves
Presentation shelf	1
Electronic control	LCD temp. display for 3 wine zones, touch electronic
Temperature range °C	+5 °C to +20 °C
Temperature zones	3
Temperature alarm	visual and acoustic
Interior light	LED lighting permanently on, dimmable
Door alarm	acoustic
Safety thermostat	yes
Activated Charcoal filter	yes
Door type	glass door with stainless steel frame
Integrated lock	yes
SoftSystem	yes
Door hinges	right, reversible
Product dimensions (H/W/D) cm	192 / 70 / 74.2
Net weight kg	136
Voltage V/Hz	220-240/50



## Installation Diagram



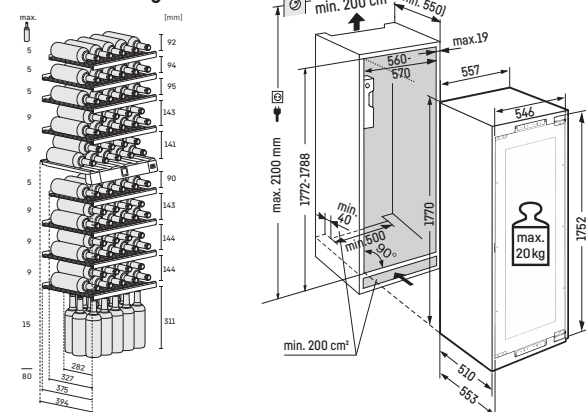


**534.16.770**  
(EWTdf 3553)  
Vinidor

Total capacity litre	256
Max. No. of Bordeaux bottles (0.75l) *	80
Total no. of storage shelves (incl. bottom compartment)	10
Shelves on telescopic rails	8
Shelf material	beech wood shelves
Presentation shelf	1
Electronic control	LCD temp. display for both wine zones, touch electronic
Temperature range °C	+5 °C to +20 °C
Temperature zones	2
Temperature alarm	visual and acoustic
Interior light	LED lighting permanently on, dimmable
Door alarm	acoustic
Safety thermostat	yes
Activated Charcoal filter	yes
Door type	panel ready or stainless steel panel as accessory
SoftSystem	yes
Door hinges	right, reversible
Product dimensions (H/W/D) cm	177 / 55.7 / 55.3
Cut out dimensions (H/W/D) cm	177.2-178 / 56-57 / 55
Net weight kg	91
Voltage V/Hz	220-240/50/60



### Installation Diagram

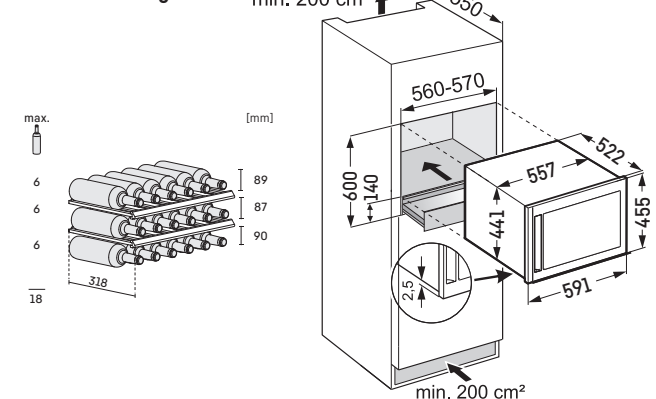


**534.16.780**  
(WKEes 553)  
GrandCru

Total capacity litre	47
Max. No. of Bordeaux bottles (0.75l) *	18
Total no. of storage shelves (incl. bottom compartment)	3
Shelves on telescopic rails	2
Shelf material	beech wood shelves
Electronic control	LCD temp. display, touch electronic
Temperature range °C	+5 °C to +20 °C
Temperature zones	1
Temperature alarm	visual and acoustic
Interior light	LED lighting permanently on, dimmable
Door alarm	acoustic
Activated Charcoal filter	yes
Door type	glass door with stainless steel frame
Door hinges	right, reversible
Product dimensions (H/W/D) cm	45.5 / 59.1 / 52.2
Cut out dimensions (H/W/D) cm	45 / 56 / 55
Net weight kg	30
Voltage V/Hz	220-240/50



### Installation Diagram



\* These models are only bound for storing wine. Maximum DIN norm bordeaux bottles capacity (0.75 l) as per norm NF H 35-124 (H: 300.5 mm, Ø 76.1 mm).



**534.16.730**  
(UKes 1752)  
Vinidor

Energy consumption (kWh/y)	<b>337</b>
Total capacity litre	<b>108</b>
Total no. of storage shelves (incl. bottom compartment)	<b>3</b>
Shelf material	<b>glass</b>
Electronic control	<b>MagicEye with digital temp. display, touch electronic</b>
Temperature range °C	<b>+2 °C to +20 °C</b>
Temperature zones	<b>1</b>
Temperature alarm	<b>visual and acoustic</b>
Temperature zones	<b>2</b>
Temperature alarm	<b>visual and acoustic</b>
Interior light	<b>LED interior lighting</b>
Door alarm	<b>acoustic</b>
Activated Charcoal filter	<b>yes</b>
Door type	<b>glass door with stainless steel frame</b>
Integrated lock	<b>yes</b>
Door hinges	<b>right, reversible</b>
Product dimensions (H/W/D) cm	<b>82-87/60-61/min. 58</b>
Net weight kg	<b>47</b>
Voltage V/Hz	<b>220-240/50</b>

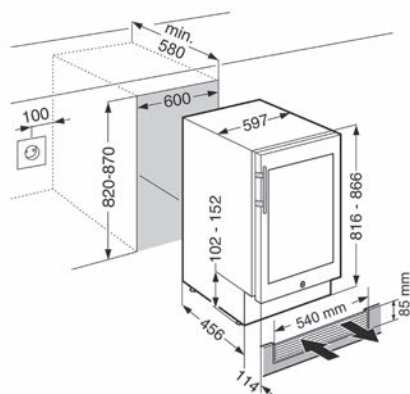


**534.16.650**  
(UWTgb 1682)  
Vinidor

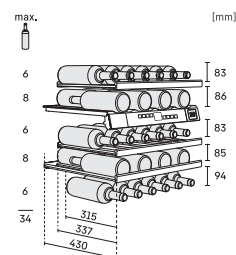
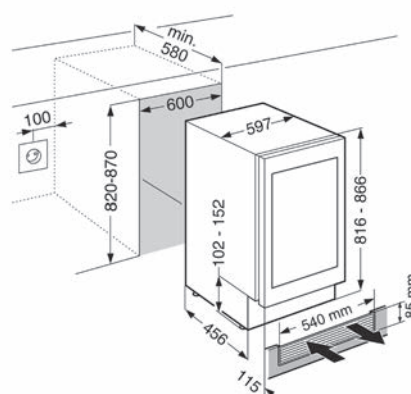
Energy consumption (kWh/y)	<b>144</b>
Total capacity litre	<b>94</b>
Max. No. of Bordeaux bottles (0.75l) *	<b>34</b>
Total no. of storage shelves (incl. bottom compartment)	<b>5</b>
Shelf material	<b>beech wood shelves</b>
Electronic control	<b>LCD temp. display, touch electronic</b>
Temperature range °C	<b>+5 °C to +20 °C</b>
Temperature zones	<b>2</b>
Temperature alarm	<b>visual and acoustic</b>
Interior light	<b>LED lighting permanently on, dimmable</b>
Door alarm	<b>acoustic</b>
Activated Charcoal filter	<b>yes</b>
Door type	<b>black insulated glass door, handle and frame free</b>
Integrated lock	<b>yes</b>
Door hinges	<b>right, reversible</b>
Product dimensions (H/W/D) cm	<b>82-87/60/min. 58</b>
Net weight kg	<b>48</b>
Voltage V/Hz	<b>220-240/50</b>



### Installation Diagram



### Installation Diagram





**534.16.610**  
(UWTeS 1672)  
Vinidor

Total capacity litre	94
Max. No. of Bordeaux bottles (0.75l) *	34
Total no. of storage shelves (incl. bottom compartment)	5
Shelves on telescopic rails	3
Shelf material	beech wood shelves
Electronic control	<b>MagicEye with digital temp. display for both wine zones, key electronic</b>
Temperature range °C	+5 °C to +20 °C
Temperature zones	2
Temperature alarm	visual and acoustic
Interior light	LED lighting permanently on, dimmable
Door alarm	acoustic
Safety thermostat	yes
Activated Charcoal filter	yes
Door type	glass door with stainless steel frame
Integrated lock	yes
Door hinges	right, reversible
Product dimensions (H/W/D) cm	81.8 / 59.7 / 57.7
Cut out dimensions (H/W/D) cm	82-87 / 60 / 58
Net weight kg	48
Voltage V/Hz	220-240/50

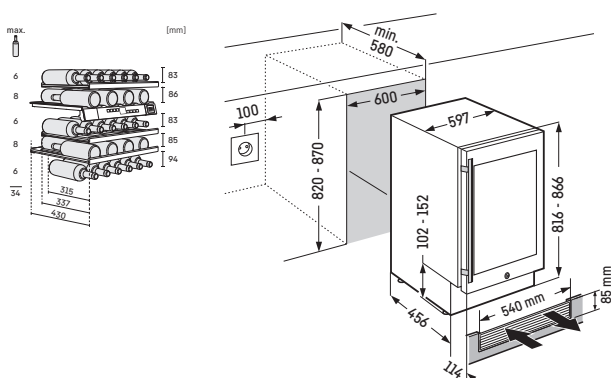


**534.16.790**  
(UWKes 1752)  
GrandCru

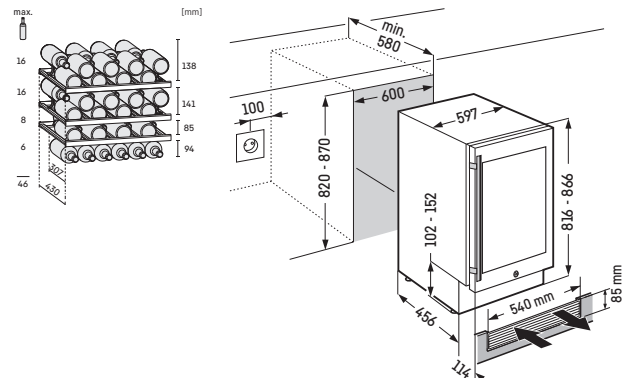
Total capacity litre	112
Max. No. of Bordeaux bottles (0.75l) *	46
Total no. of storage shelves (incl. bottom compartment)	4
Shelves on telescopic rails	3
Shelf material	beech wood shelves
Electronic control	<b>MagicEye with digital temp. display, key electronic</b>
Temperature range °C	+5 °C to +20 °C
Temperature zones	1
Temperature alarm	visual and acoustic
Interior light	LED lighting permanently on
Door alarm	acoustic
Safety thermostat	yes
Activated Charcoal filter	yes
Door type	glass door with stainless steel frame
Integrated lock	yes
Door hinges	right, reversible
Product dimensions (H/W/D) cm	81.8 / 59.7 / 57.7
Cut out dimensions (H/W/D) cm	82-87 / 60-61 / 58
Net weight kg	44
Voltage V/Hz	220-240/50



### Installation Diagram



### Installation Diagram



## Liebherr Barrique Wine Cabinets



← 66 →

**534.16.895**

(WKb 4612)  
Barrique

Total capacity litre	<b>336</b>
Max. No. of Bordeaux bottles (0.75l) *	<b>195</b>
Total no. of storage shelves (incl. bottom compartment)	<b>7</b>
Shelves on telescopic rails	<b>1</b>
Shelf material	<b>beech wood shelves</b>
Presentation shelf	<b>1</b>
Electronic control	<b>MagicEye with digital temp. display, key electronic</b>
Temperature range °C	<b>+5°C to +20°C</b>
Temperature zones	<b>1</b>
Temperature alarm	<b>visual and acoustic</b>
Interior light	<b>LED interior lighting</b>
Door alarm	<b>acoustic</b>
Safety thermostat	<b>yes</b>
Activated Charcoal filter	<b>yes</b>
Door type	<b>insulated glazed door, black frame</b>
Integrated lock	<b>yes</b>
Door hinges	<b>right, reversible</b>
Product dimensions (H/W/D) cm	<b>184.2 / 65.7 / 66.3</b>
Net weight kg	<b>86</b>
Voltage V/Hz	<b>220-240/50</b>



← 66 →

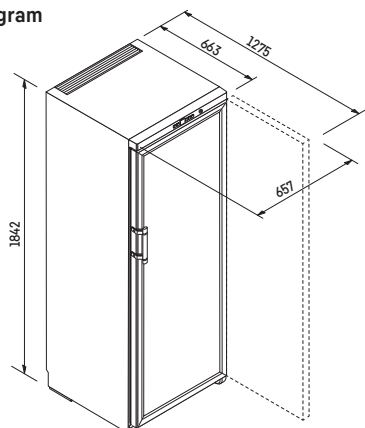
**534.16.896**

(WKb 4611)  
Barrique

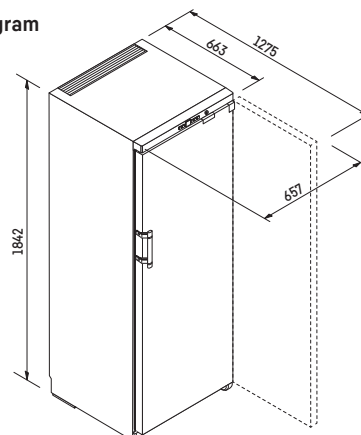
Total capacity litre	<b>336</b>
Max. No. of Bordeaux bottles (0.75l) *	<b>195</b>
Total no. of storage shelves (incl. bottom compartment)	<b>7</b>
Shelf material	<b>beech wood shelves</b>
Electronic control	<b>MagicEye with digital temp. display, key electronic</b>
Temperature range °C	<b>+5°C to +20°C</b>
Temperature zones	<b>1</b>
Temperature alarm	<b>visual and acoustic</b>
Interior light	<b>light bulb</b>
Door alarm	<b>acoustic</b>
Safety thermostat	<b>yes</b>
Activated Charcoal filter	<b>yes</b>
Door type	<b>full door with handle, black</b>
Integrated lock	<b>yes</b>
Door hinges	<b>right, reversible</b>
Product dimensions (H/W/D) cm	<b>184.2 / 65.7 / 66.3</b>
Net weight kg	<b>68.5</b>
Voltage V/Hz	<b>220-240/50</b>



### Installation Diagram



### Installation Diagram







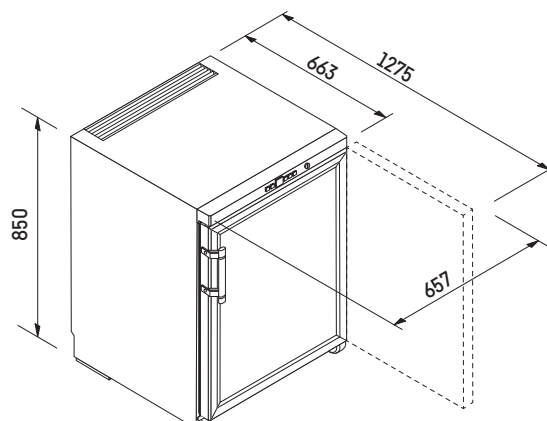
**534.16.890**

(WKb 1712)  
Barrique

Total capacity litre	121
Max. No. of Bordeaux bottles (0.75l) *	60
Total no. of storage shelves (incl. bottom compartment)	3
Shelf material	beech wood shelves
Electronic control	MagicEye with digital temp. display, key electronic
Temperature range °C	+5 °C to +20 °C
Temperature zones	1
Temperature alarm	visual and acoustic
Interior light	LED interior lighting
Door alarm	acoustic
Safety thermostat	yes
Activated Charcoal filter	yes
Door type	insulated glazed door, black frame
Integrated lock	yes
Door hinges	right, reversible
Product dimensions (H/W/D) cm	85 / 65.7 / 66.3
Net weight kg	45
Voltage V/Hz	220-240/50



### Installation Diagram



\* These models are only bound for storing wine. Maximum DIN norm bordeaux bottles capacity (0.75 l) as per norm NF H 35-124 (H: 300.5 mm, Ø 76.1 mm).



**534.16.750**  
**(WKes 653)**  
GrandCru

Total capacity litre	38
Max. No. of Bordeaux bottles (0.75l) *	12
Total no. of storage shelves (incl. bottom compartment)	3
Shelf material	beech wood shelves
Electronic control	LCD temp. display, touch electronic
Temperature range °C	+5 °C to +20 °C
Temperature zones	1
Temperature alarm	visual and acoustic
Interior light	LED lighting permanently on, dimmable
Door alarm	acoustic
Activated Charcoal filter	yes
Door type	glass door with stainless steel frame and SmartSteel
Integrated lock	yes
Door hinges	right
Product dimensions (H/W/D) cm	61.2 / 42.5 / 47.8
Net weight kg	29
Voltage V/Hz	220-240/50



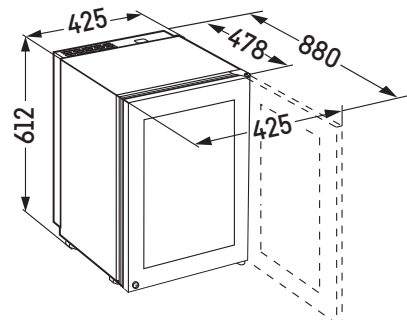
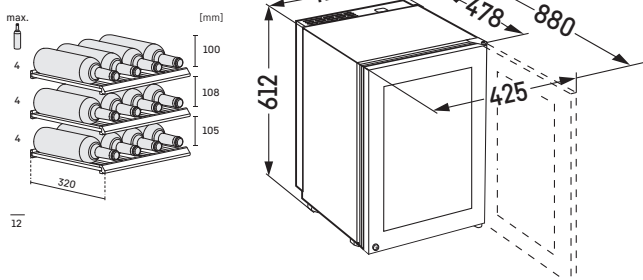
**534.16.690**  
**(ZKES 453)**  
Humidor

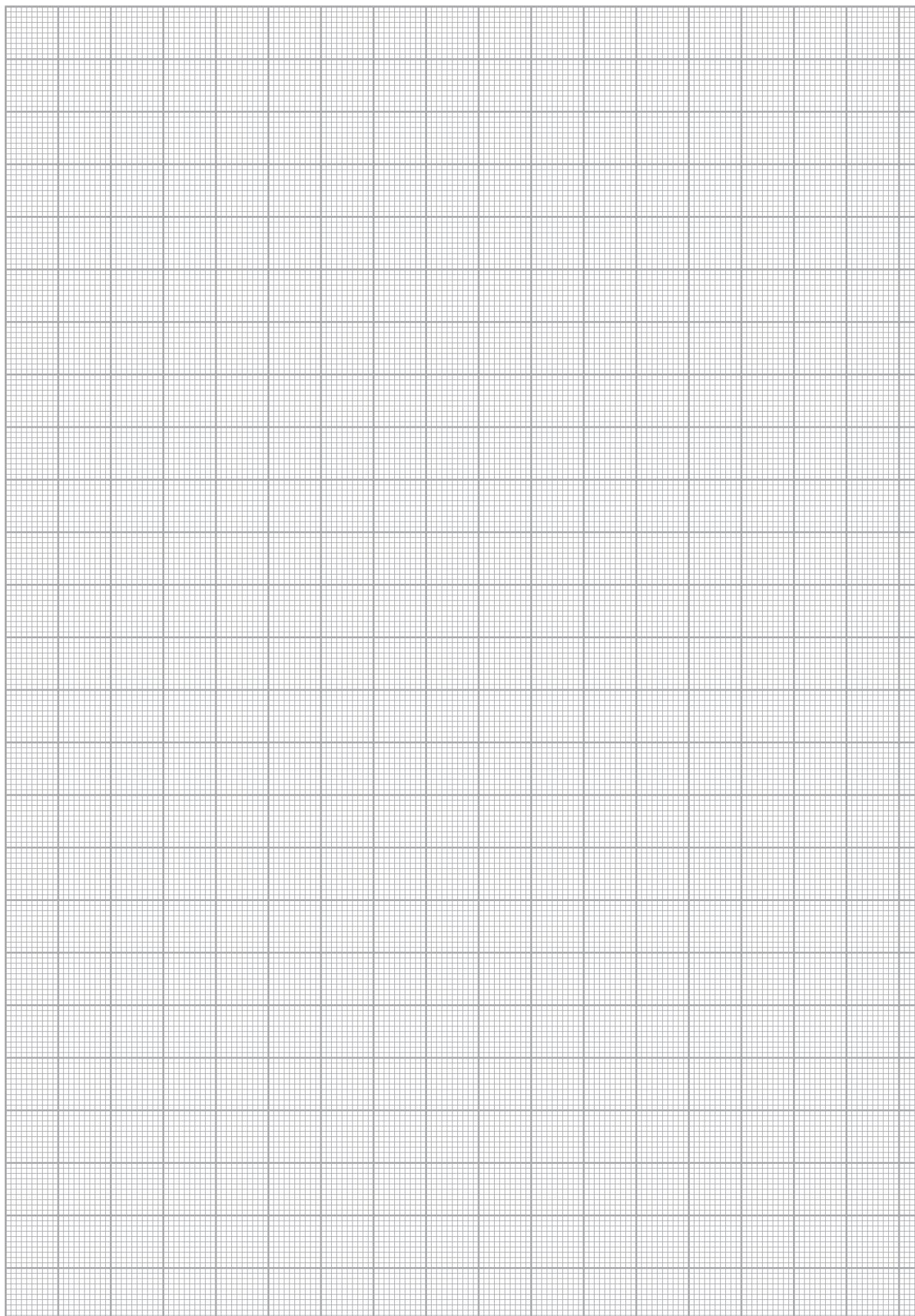
Total capacity litre	39
Total no. of storage shelves (incl. bottom compartment)	2
Shelf material	Spanish cedar wood shelves
Electronic control	LCD temp. display, touch electronic
Temperature range °C	+16 °C to +20 °C
Temperature zones	1
Temperature alarm	visual and acoustic
Defrost type	automatic
Interior light	LED lighting permanently on, dimmable
Door alarm	acoustic
Activated Charcoal filter	yes
Door type	glass door with stainless steel frame and SmartSteel
Integrated lock	yes
Door hinges	right
Product dimensions (H/W/D) cm	61.2 / 42.5 / 47.8
Net weight kg	30
Voltage V/Hz	220-240/50



### Installation Diagram

### Installation Diagram





# IMPRINT

This brochure is only intended for use by the recipient.  
It remains in all respects the property of Häfele.

Reproductions of this catalogue in whole or in part, the copying or imitation of any illustrations and the imitation of the layout are strictly prohibited.

The technical descriptions and dimensions in this catalogue, also those with the photographs and drawings, are not binding. We reserve the right to make design improvements. All dimensions in mm, unless stated otherwise.

We bear no liability for any misprints or other errors that might occur in the production of the catalogue.

All deliveries are made pursuant to Häfele's sales conditions.

August 2024

© Copyright by Häfele (Thailand) Limited

All rights reserved

Printed in Thailand

## สงวนลิขสิทธิ์

แคตตาล็อกเล่มนี้สงวนสิทธิ์ในการใช้งานเป็นคู่มือเลือกซื้อผลิตภัณฑ์เท่านั้นและถือเป็นสมบัติของบริษัทเฮเฟลโดยสมบูรณ์

การผลิตลอกเลียนแบบทั้งหมดหรือส่วนหนึ่งส่วนใด รวมทั้งการลอกเลียนแบบภาพหรือรูปแบบการจัดวางถือเป็นการละเมิดลิขสิทธิ์

คำบรรยายทางเทคนิคและขนาดของผลิตภัณฑ์ รวมถึงภาพและแบบร่าง ที่ปรากฏภายใน ไม่ถือเป็นข้อผูกมัดทางกฎหมายแต่อย่างใด  
ทางบริษัทฯ ขอสงวนสิทธิ์ในการปรับเปลี่ยนงานออกแบบในภายหลัง ขนาดของผลิตภัณฑ์ ทั้งหมดมีหน่วยเป็นมิลลิเมตร ยกเว้นในกรณีที่ระบุเป็นหน่วยอื่น

ทั้งนี้ ทางบริษัทฯ จะไม่ขอรับผิดชอบต่อความผิดพลาดใดๆ ที่อาจเกิดขึ้นระหว่างขั้นตอนการผลิตแคตตาล็อก

การจัดส่งสินค้าจะเป็นไปตามเงื่อนไขการขายที่ระบุโดยบริษัทเฮเฟล

สิงหาคม 2567

ลิขสิทธิ์ของบริษัท เฮเฟล (ประเทศไทย) จำกัด

สงวนลิขสิทธิ์

พิมพ์ที่ประเทศไทย



@hafelethailand



Hafele Thailand

www.hafele.com  
www.hafelethailand.com

### Häfele (Thailand) Limited

**Häfele Design Studio (Bangkok)**  
57 Soi Sukhumvit 64, Sukhumvit Rd.,  
Phrahanong Tai, Phrahanong,  
Bangkok 10260  
Telephone: (02) 768-7171


**Häfele Design Studio (Pattaya)**  
88/8 Moo 11,  
Nongprue, Banglamung,  
Chonburi 20150  
Telephone: (038) 332-485-8

**Häfele Design Studio (Hua Hin)**  
15/84 Soi Hua Hin 29,  
Petchkasem Rd., Hua Hin,  
Prachuapkirikhan 77110  
Telephone: (032) 547-704

**Häfele Design Center (Phuket)**  
Opposite Big C, 81 Moo 5,  
Chalermprakiet Ror-9 Rd.,  
Vichit, Muang, Phuket 83000  
Telephone: (076) 304-460

**Häfele Design Studio (Chiang Mai)**  
498 Chiang Mai-Lampang Rd.,  
Thasala, Mueang Chiang Mai,  
Chiang Mai 50000  
Telephone: (053) 240-300





Hydro  
Breeze



Häfele  
Official Website



Liebherr  
Official Website