



FINGERPRINT CABINET LOCK Model KABI-SLIM



Model KABI-SLIM

Installation Guide & User Manual

Feature

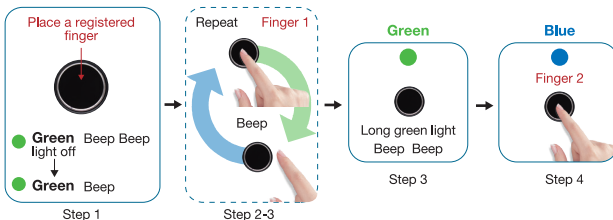
- Biometric fingerprint sensors with high sensitivity
- Fingerprint capacity: 20
- E-key for emergency unlocking and management
- Usage scenarios: drawer, cabinet, wardrobe, etc.

* The contents of this document are subject to change without prior notice to the user in order to enhance performance of the products.

Lock Operation

How to add new fingerprints

- 1) Place your (registered) finger or any fingers for factory setting mode, to enable add fingerprint mode, on the sensor. Wait until the green light turns on for the second time and then release your finger.
- 2) Blue light turns on indicating that now you can start recording your fingerprints.
- 3) Place the new finger which is to be registered on the sensor until the light changes from blue to green together with 1 beep and remove the finger. Repeat this step until the green light stays on for 2 seconds indicating the fingerprint has been registered successfully.
- 4) The blue light turns on together with 2 beeps again indicating another fingerprint can be added now. If no additional fingerprint added, wait for the light to turn off.



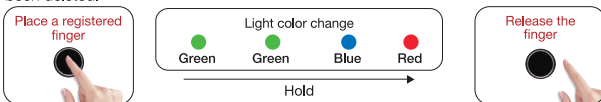
Note

- 1) Make sure to add a fingerprint before using. Any fingers can unlock the lock in factory settings.
- 2) Add at least 3 fingerprints for a proper functioning of the lock.

How to delete fingerprints

Method 1

- 1) Place and hold the registered finger until the light turns red.
- 2) Release your finger.
- 3) The lock makes a "beep" sound twice indicating that all the registered fingerprints have been deleted.



Note

All fingerprints and APP pairing are deleted.

Lock Operation

Method 2

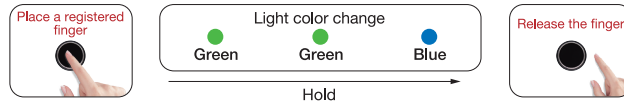
- 1) Insert E-Key
- 2) Place any fingers and wait for the green light turn to red light.
- 3) The lock makes a "beep" sound twice indicating that all of the fingerprints have been deleted.



How to switch between auto and manual lock mode

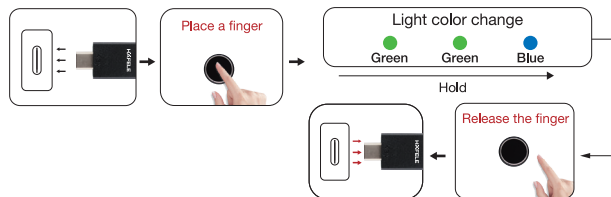
Method 1

- 1) Place and hold the registered finger until the light changes to blue.
- 2) Release your finger.
- 3) The lock makes the "beep" sound twice.
- 4) Operation switches between auto and manual lock mode.



Method 2

- 1) Insert the E-key, and place and hold any fingers until the light changes to blue.
- 2) Release your finger.
- 3) The lock makes the "beep" sound twice.
- 4) Operation switches between auto and manual lock mode.



Lock Operation

How to unlock

Method 1: Unlock by a registered finger

- 1) Place a registered finger on sensor, wait for green light on, then release your finger to unlock.
- 2) Pull the door to open.



Method 2: Unlock by E-key

- 1) Insert E-key
- 2) Put any fingers on sensor, wait for green light on, then release your finger to unlock.
- 3) Pull the door to open.



How to replace E-key

In case of lost E-key, you must register a new E-key. After registration completed, the old E-key is unusable. To register a new E-key:

- 1) Plug the new E key.
- 2) Place and hold the registered finger until the light turns red.
- 3) After registration completed, the old E-key is unusable.

Note

- Only one E-key is useable for each lock.
- Many locks can use same E-key as master key.

Low battery warning

- Insufficient power: Green and red lights are frequently flash when unlock the door. Please replace the batteries in time.
- Battery type: 3 pcs of AAA alkaline batteries. Caution! Do not use Zinc-carbon batteries.

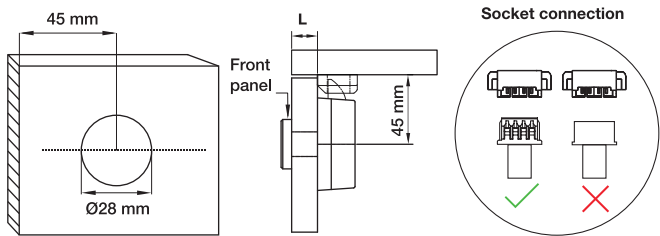
Emergency power

- When the battery is too low, connect a 5V DC voltage to power bank or smartphone charger. Replace the batteries after unlocking.
- If fingerprint error and low battery warning too occurred at the same time, insert the E-key and external emergency power supply.



Installation Instructions

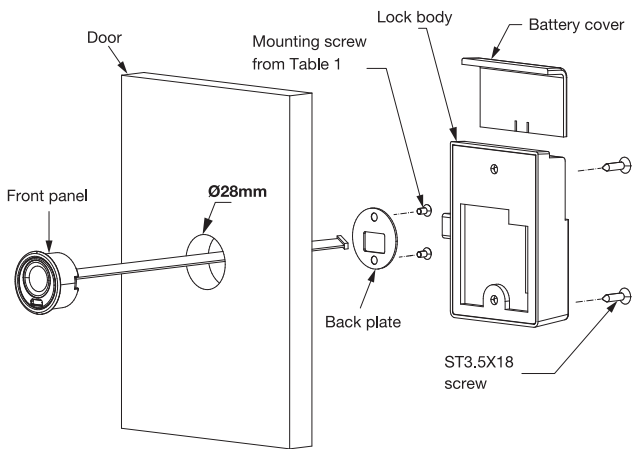
Place the installation template on the door. Make sure the distance from door edge to center hole is 45mm (picture 1). Then, drill per template.



Picture 1

Installation Instructions

Pass the cable through the hole as shown then fix the front panel with back plate and mounting screw from Table 1. Connect the socket to the lock body, then fix the lock body with ST3.5x18 screw.



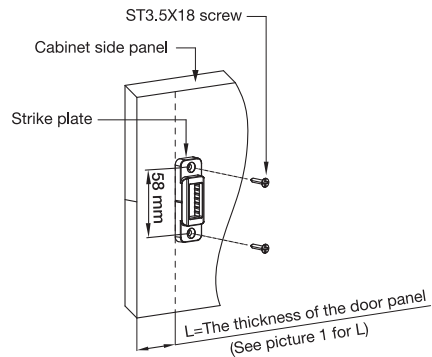
Picture 2

Installation Instructions

Table 1

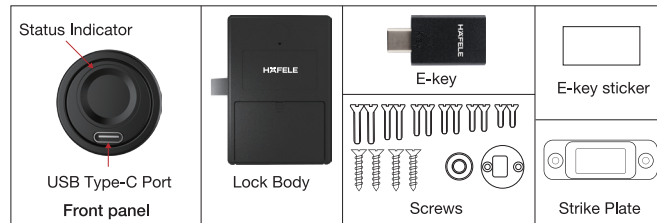
	Door Thickness (mm)	Mounting Screw
	16mm - 17mm	M3X6 2EA
	17mm - 19mm	M3X8 2EA
	19mm - 21mm	M3X10 2EA
	22mm - 23mm	M3X12 2EA
	24mm - 25mm	M3X14 2EA
	26mm - 27mm	M3X16 2EA

Fix the strike plate with ST3.5X18 screws. (Make sure the latch works well)



Picture 3

Components



Installation Template

