



Unit: mm



Drilling template DL6110

(For Big Mortise 60X85MM)



Unit: mm



Note: The template for strike plate is for wooden door. Please bore hole according to the actual situation if steel door.

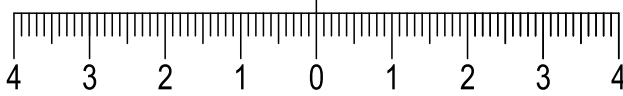
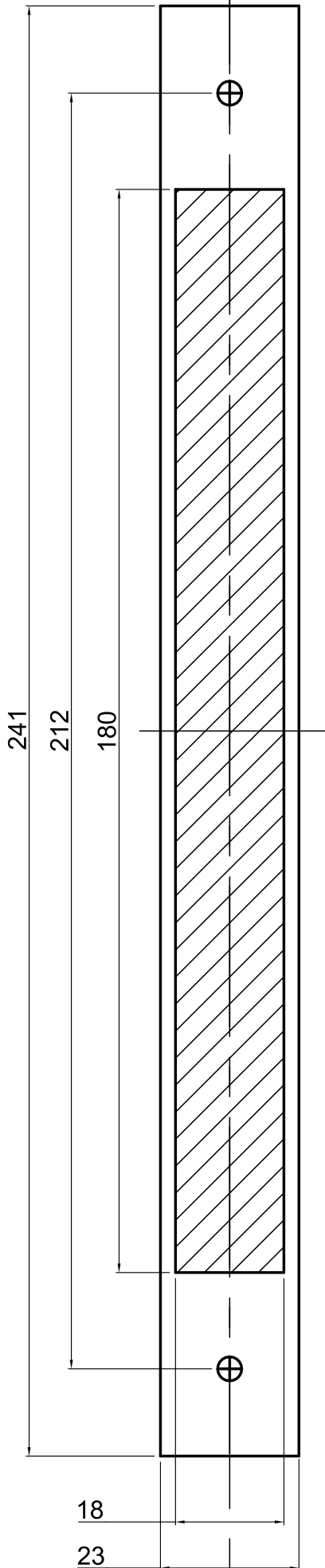


Unit: mm

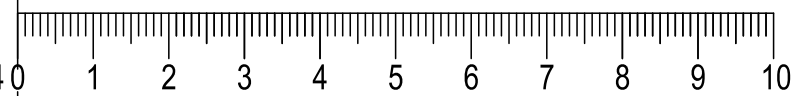
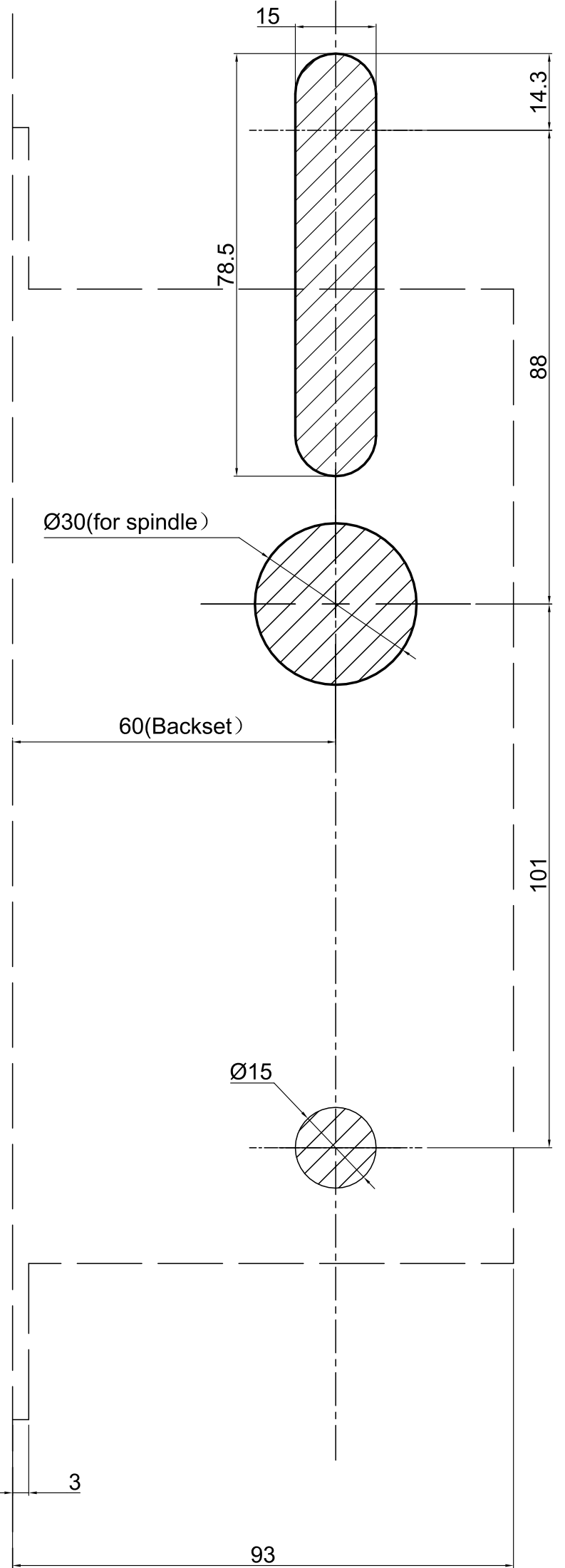
Template For Mortise



Central Line of Door Thickness



Template For Lock Panels



Template For Strike Plate

