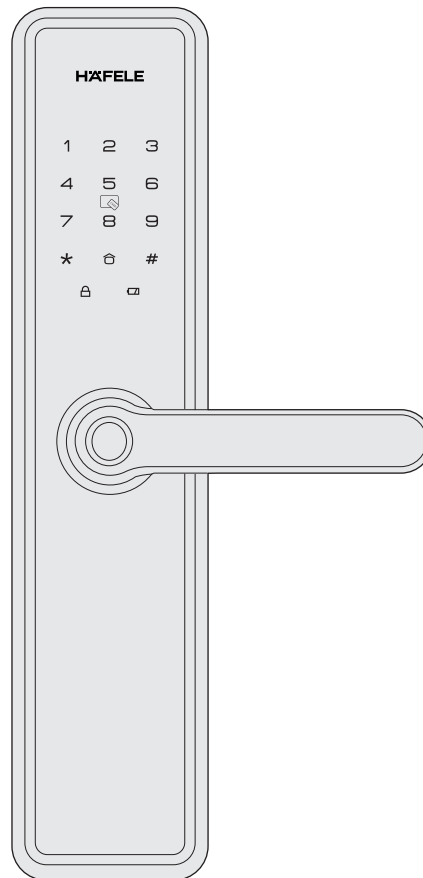




Digital door lock Model DL7600



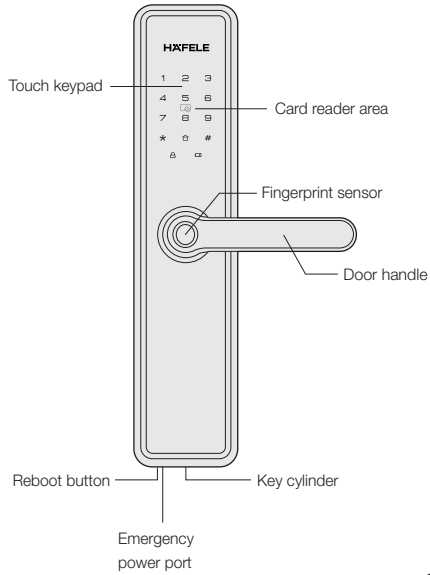
DL7600 Installation guide

Contents

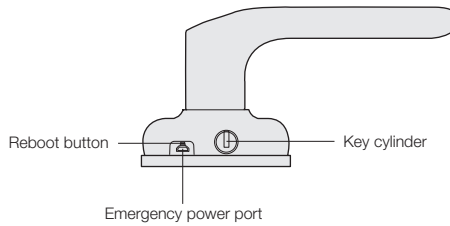
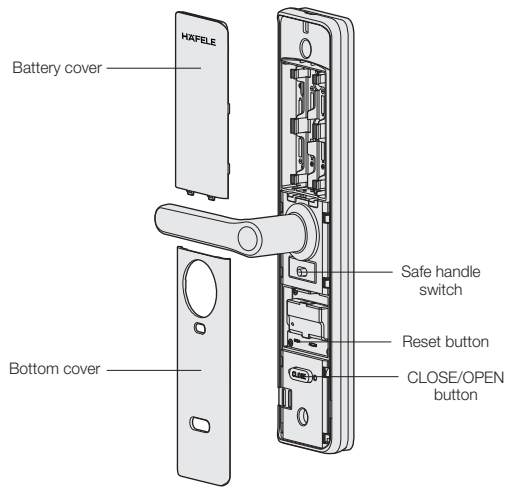
Product specification.....	2
Components.....	3
Prepare for installation.....	4
Installation.....	6

✓ Product specifications

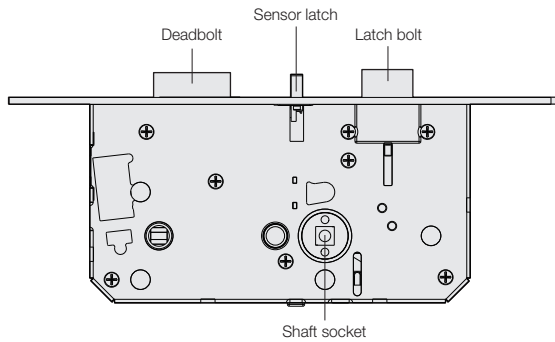
Outside panel



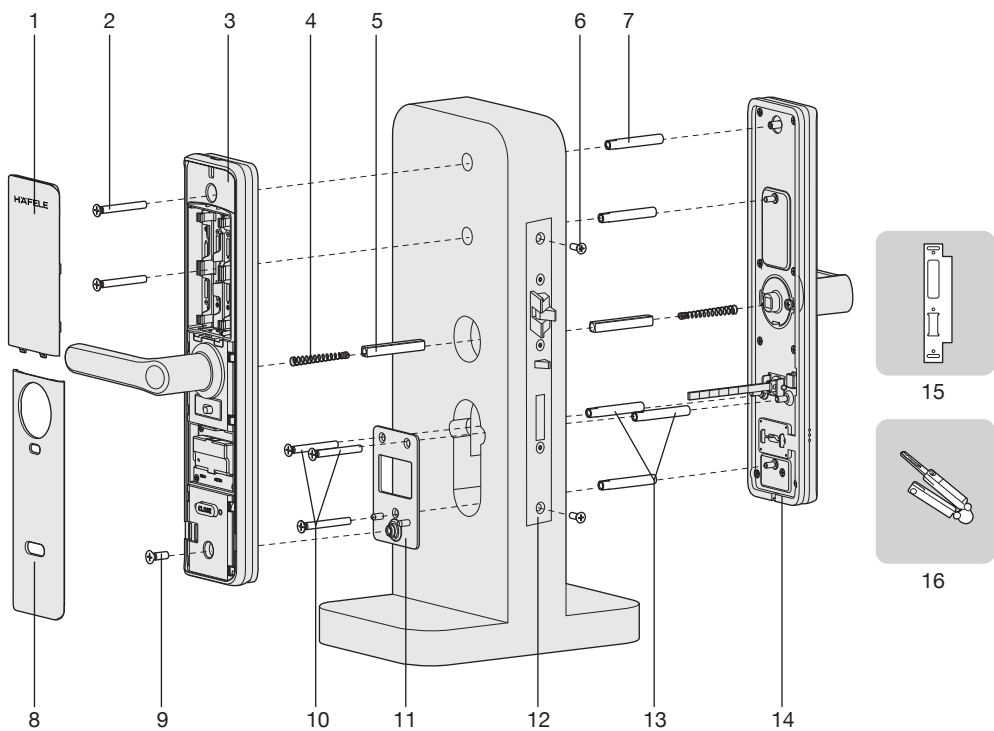
Inside panel



Mortise lock



✓ Components

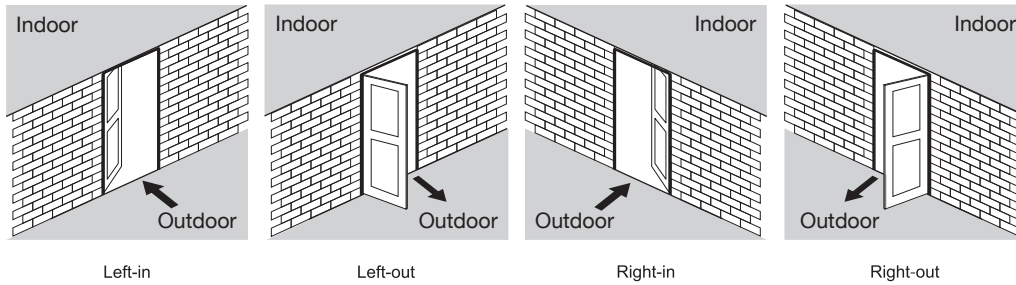


- | | | |
|-----------------------------------|-------------------------------------|--------------------------------------|
| 1. Battery cover (1 pc) | 7. M6 Connecting screw bolt (2 pcs) | 13. M5 Connecting screw bolt (3 pcs) |
| 2. M6 mounting screw (2 pcs) | 8. Bottom cover (1 pc) | 14. Outside panel assembly (1 pc) |
| 3. Inside panel assembly (1 pc) | 9. M6 mounting screw (1 pc) | 15. Strike assembly |
| 4. Pressure spring (2 pcs) | 10. M5 mounting screw (3 pcs) | - Left strike plate (1 pc) |
| 5. Square shaft (2 pcs) | 11. Mounting plate (1 pc) | - Right strike plate (1 pc) |
| 6. Mortise mounting screw (2 pcs) | 12. Mortise lock (1 pc) | - Strike box (1 pc) |
| | | 16. Mechanical key (2 pcs) |

✓ Preparing for installation

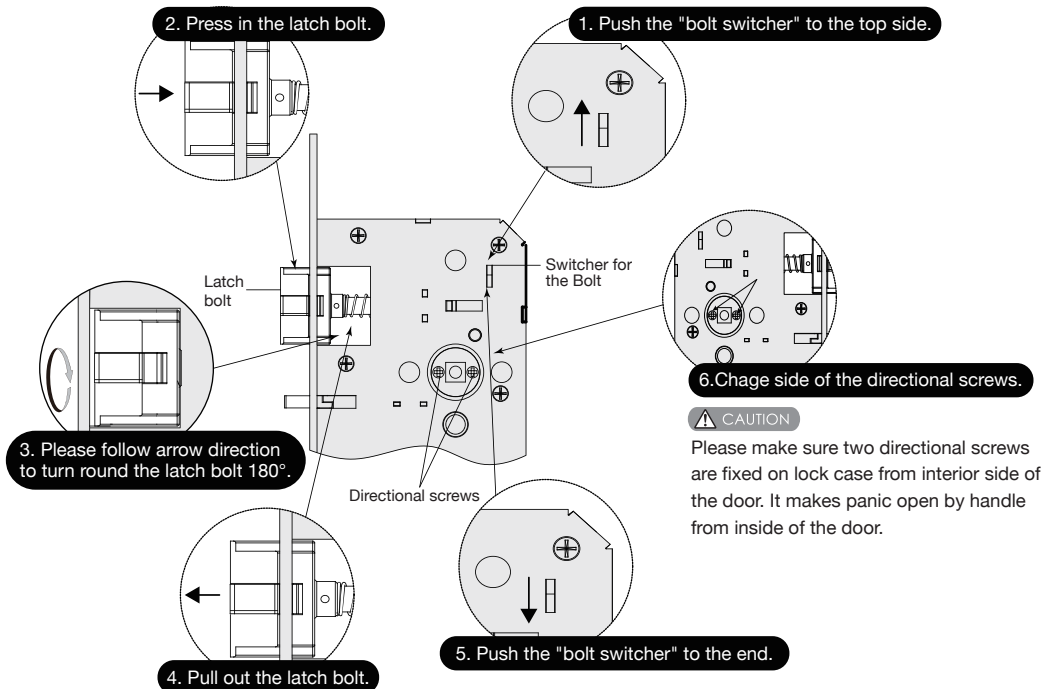
Check door open direction

This product fits for all door open directions Left-in/Left-out/Right-in/Right-out



When your door is Left-out or Right-in, please do the following two things

1. Change latch direction and directional screw

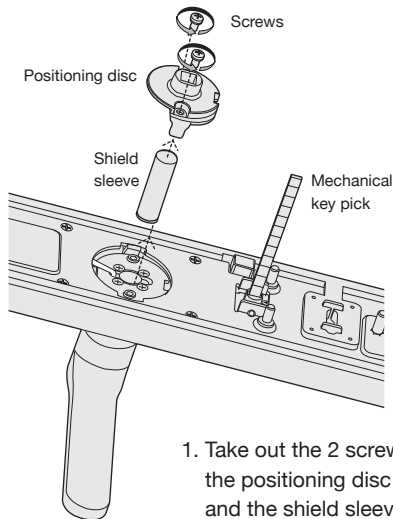




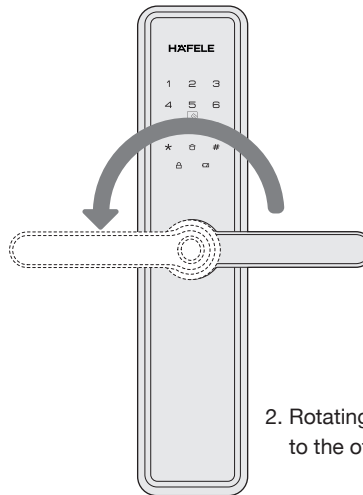
Preparing for installation

2. Change handle direction (For inside and outside panel)

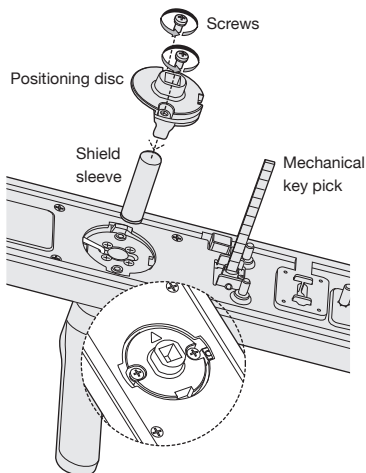
Please fix the screws in proper locations according to below diagram in the desired open direction.



1. Take out the 2 screws, the positioning disc and the shield sleeve.



2. Rotating the handle to the other end.



3. Reposition the sensor cable, so it is below arrow “ Δ ” sign on the positioning disc. Fasten the screws.

Check door thickness

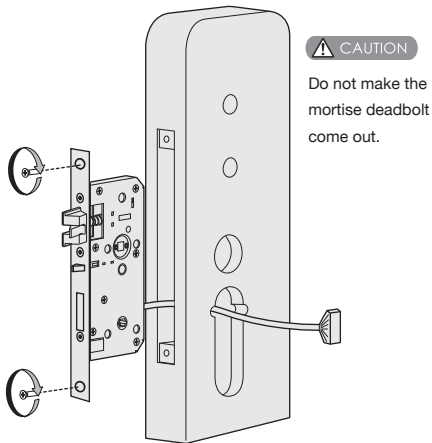
1. Please choose correct screw pack according to your door thickness.
2. Default screw pack is for door thickness 38-60mm.

Cut the mechanical key pick

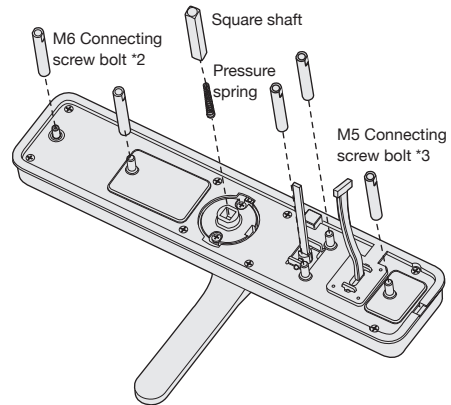
According to door thickness, cut the mechanical key pick into proper length. The proper length of key pick is required to be more than half of the door thickness, but should not pass through the door.

✓ Installation

1. Mark and drill bores by using the installation template first, then fix the mortise into the door frame and tighten the 2 screws to fix the mortise on the door.

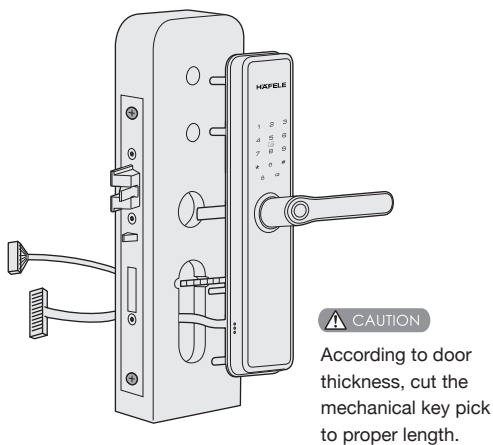


2. Fix 5 screw bolts on the front panel, place square shaft and pressure spring into the bore.

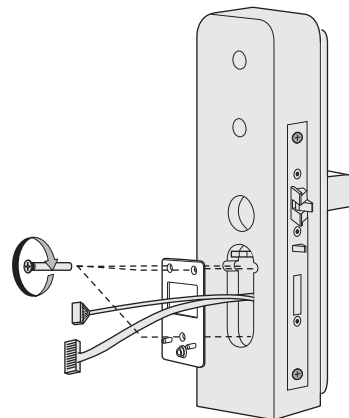


CAUTION
Spring: the big end is downward.

3. Pass the connection wire through the bottom bore. Then align and insert square shaft into mortise holes to make the front panel fit against the door closely.

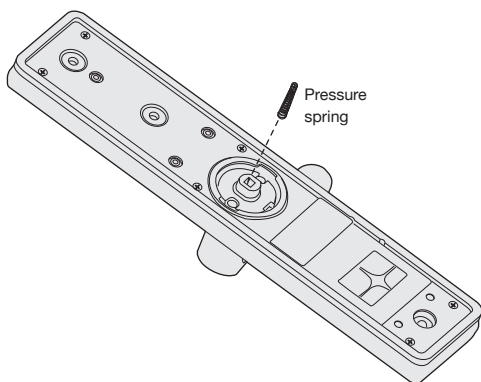


4. Install the mounting plate with fixing screws tightly against the door surface.

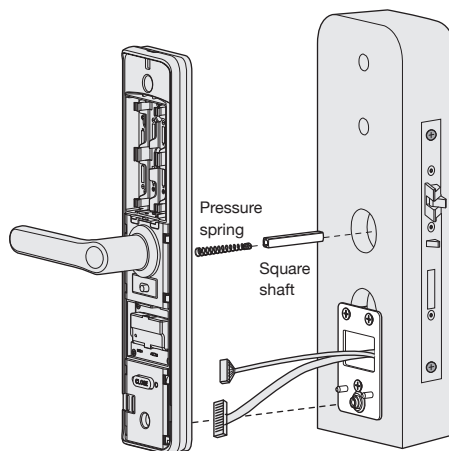


✓ Installation

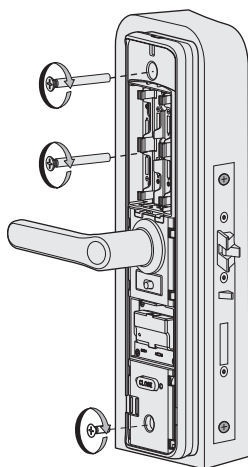
5. Place pressure spring and square shaft in the back panel in proper order.



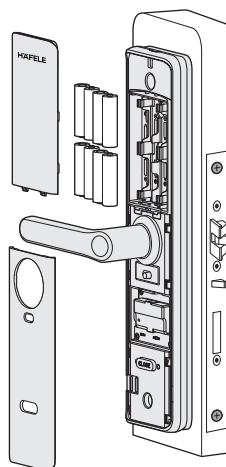
6. Insert the connecting wires of front panel into the related sockets of the back panel. Then align and insert the square shaft into mortise hole, make the back panel fit against the door closely.



7. Tighten the 3 fixing screws.



8. Install the batteries and the battery cover. Then install the striker assembly to finish the installation.

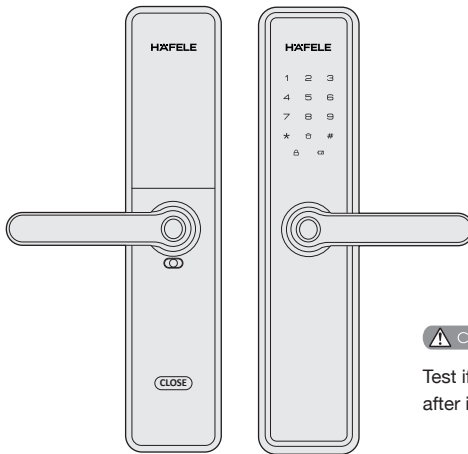


⚠ CAUTION

After installing the striker assembly, please check if the lock works smoothly by opening/closing door.

✓ Installation

9. Please check handle, safe handle switch and mechanical key if they are working properly.



⚠ CAUTION

Test if mechanical key works smoothly after installation.