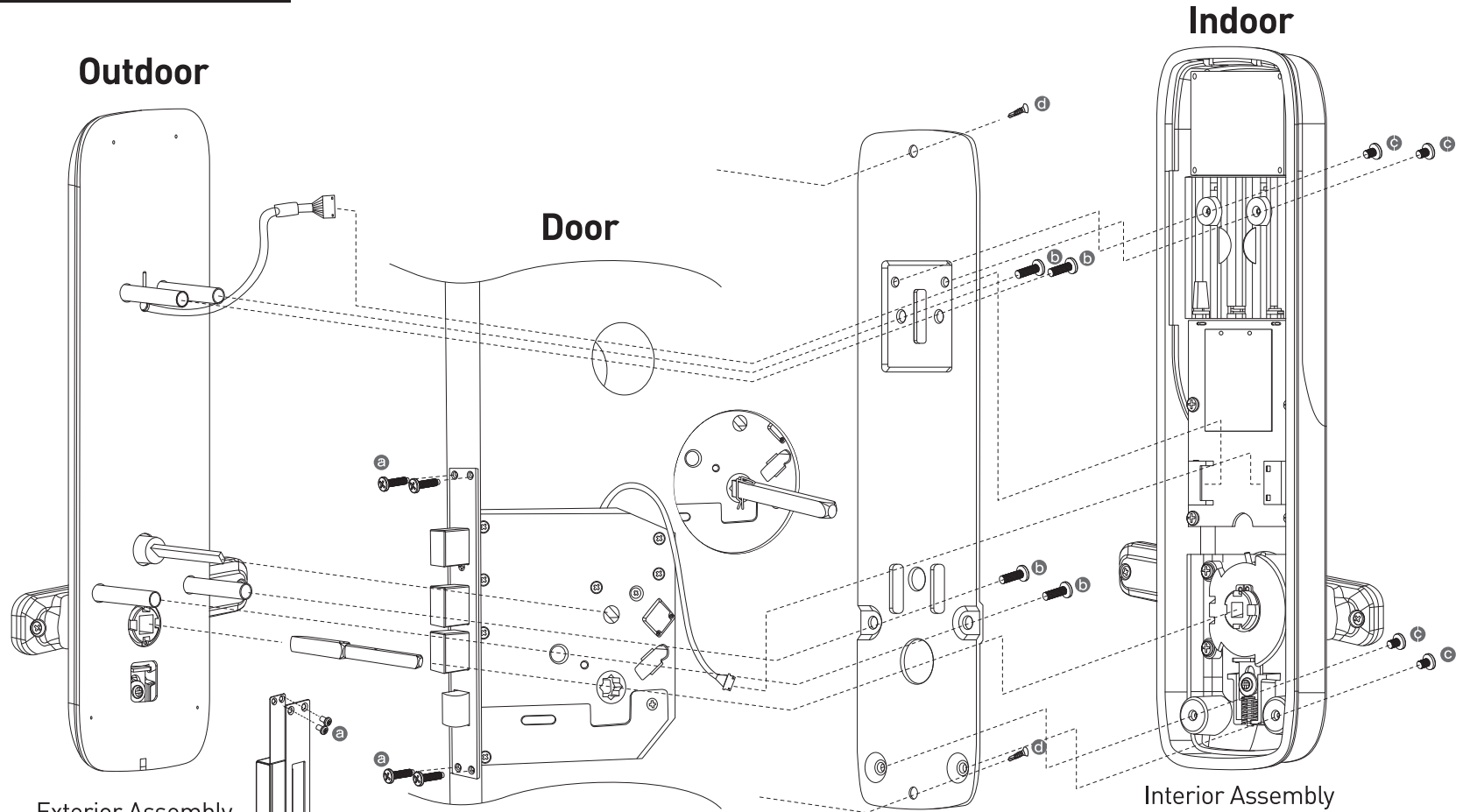


Installation

2023-01-26



Exterior Assembly

Mortise

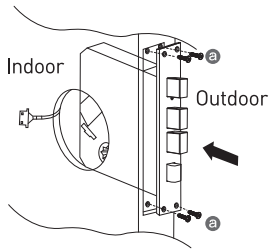
Indoor Mounting Plate

Interior Assembly

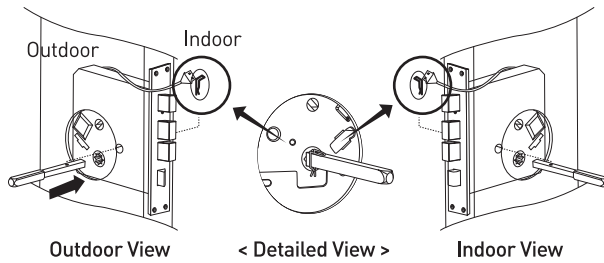
Components (Screws)

a		FH M3/16x1/2 8EA
		FH TP 3.5x20 TYPE-1 8EA (Wooden Door)
b		BH M5x25 4EA
c		BH M5x30 4EA
d		BH M5x35 4EA
e		PH Mx46 4EA
f		FH T M8x16 2EA

1. Mortise Installation



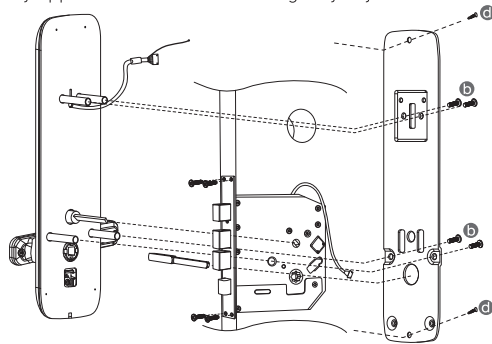
2. Handle Shaft Installation



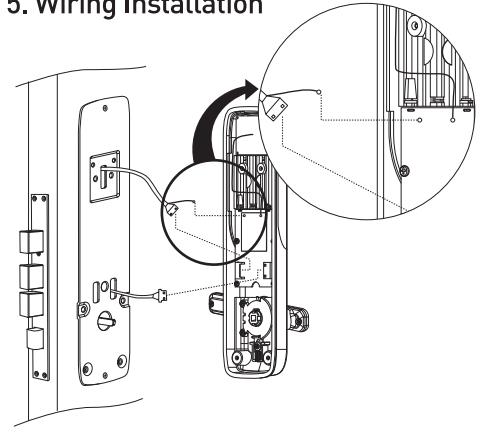
3. Handle Shaft Fixation

4. Exterior Assembly Installation

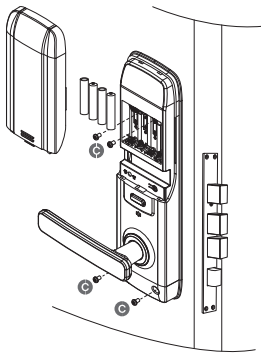
Please make sure to align the key cylinder shaft with the key hole in the mortise before installing the exterior assembly.
(Only applies to models with emergency key override)



5. Wiring Installation

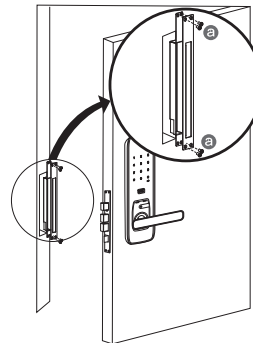


6. Interior Assembly Installation

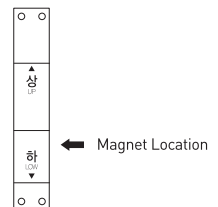


Be careful not to kink or pinch the wiring when fastening the interior assembly to the mounting plate.

7. Dust Box & Strike Plate Installation



Please make sure to install the dust box with the "UP" marking facing upwards. In case of wrong installation, Auto Locking may not work



Check Points after Installation

1) Check if the Auto Locking function works

If the door does not lock automatically when latched, please check the Auto Locking setting

2) Check if Manual and Auto Locking work

3) Check if the door unlocks by registered RFID card

4) After PIN code registration, check if the door unlocks by PIN code

The PIN code must be input directly by the end user of the door lock

5) Explain the internal double locking function.

6) Explain the battery life and how to use the external emergency power connector.

7) Thoroughly explain the RFID card registration and PIN code modification process.

8) Provide the customer with the product warranty and the user manual.



M
—
A

Activating Manual Locking Mode

After removing the battery cover, look for the Auto Locking switch. Move the switch up to activate manual locking mode.



M
—
A

Activating Auto Locking Mode

After removing the battery cover, look for the Auto Locking switch. Move the switch down to activate auto locking mode.

Attention - Perform Installation only when Door is Open and with all Batteries Removed.